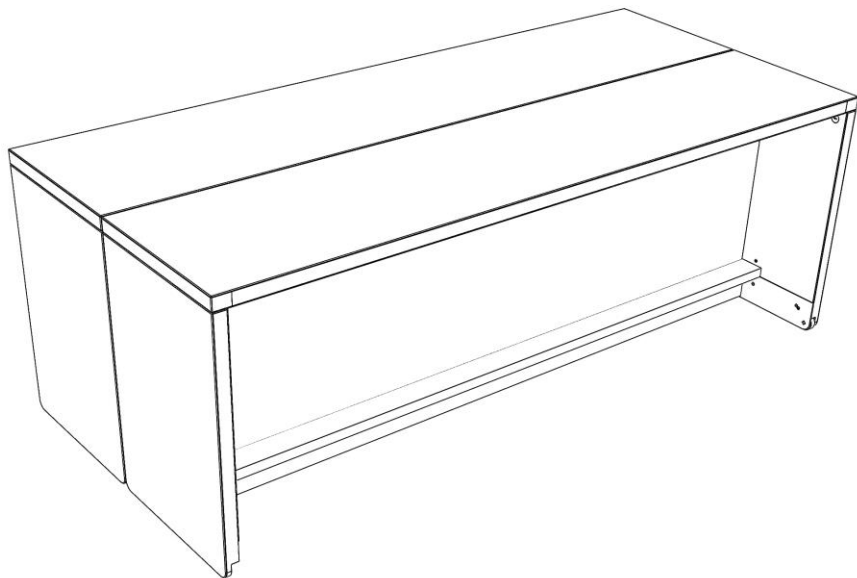
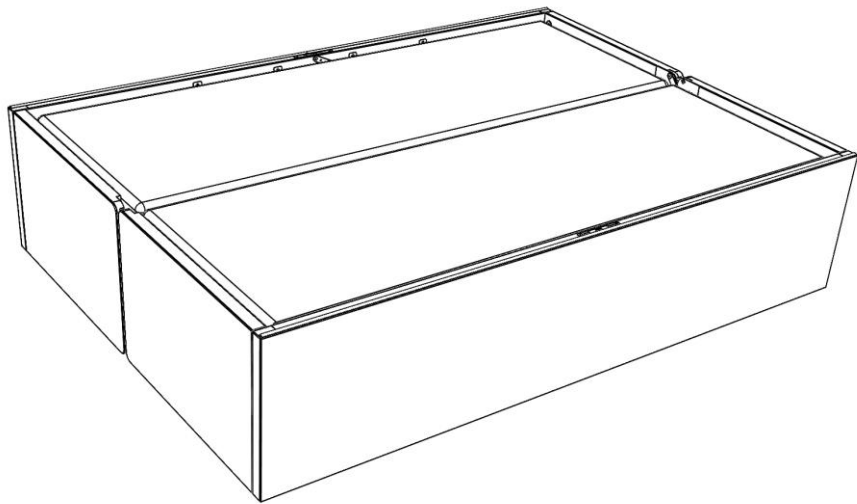


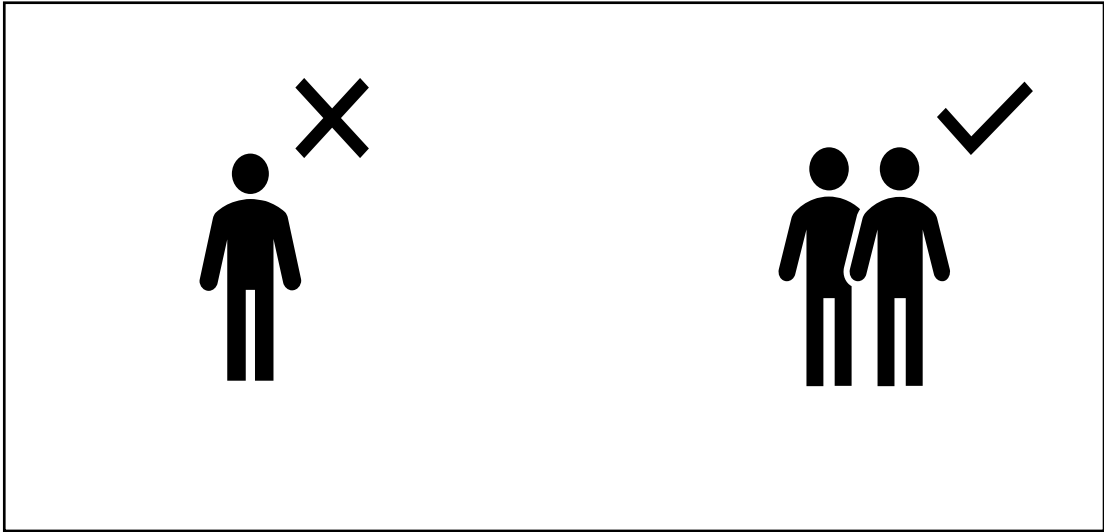


T A B L E B E D

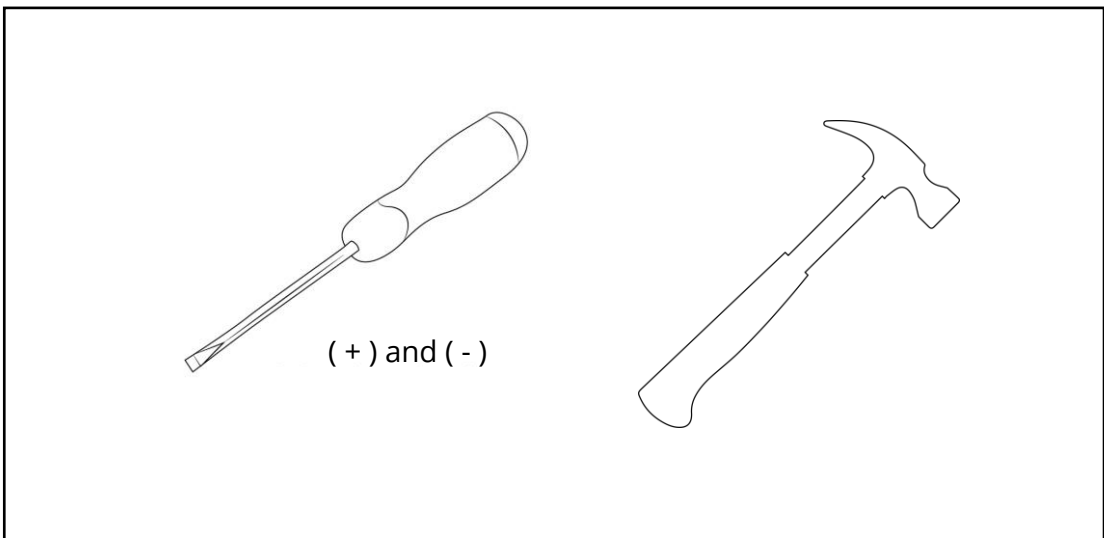
FROM TABLE TO BED IN 10 SECONDS

Assembly Manual & User and Safety Instructions

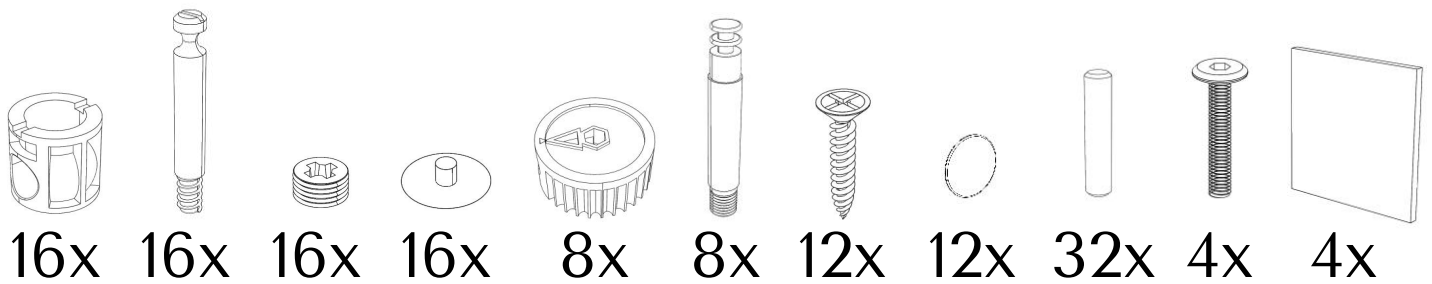
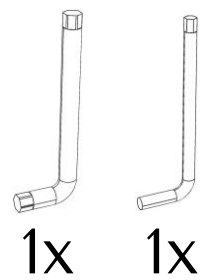
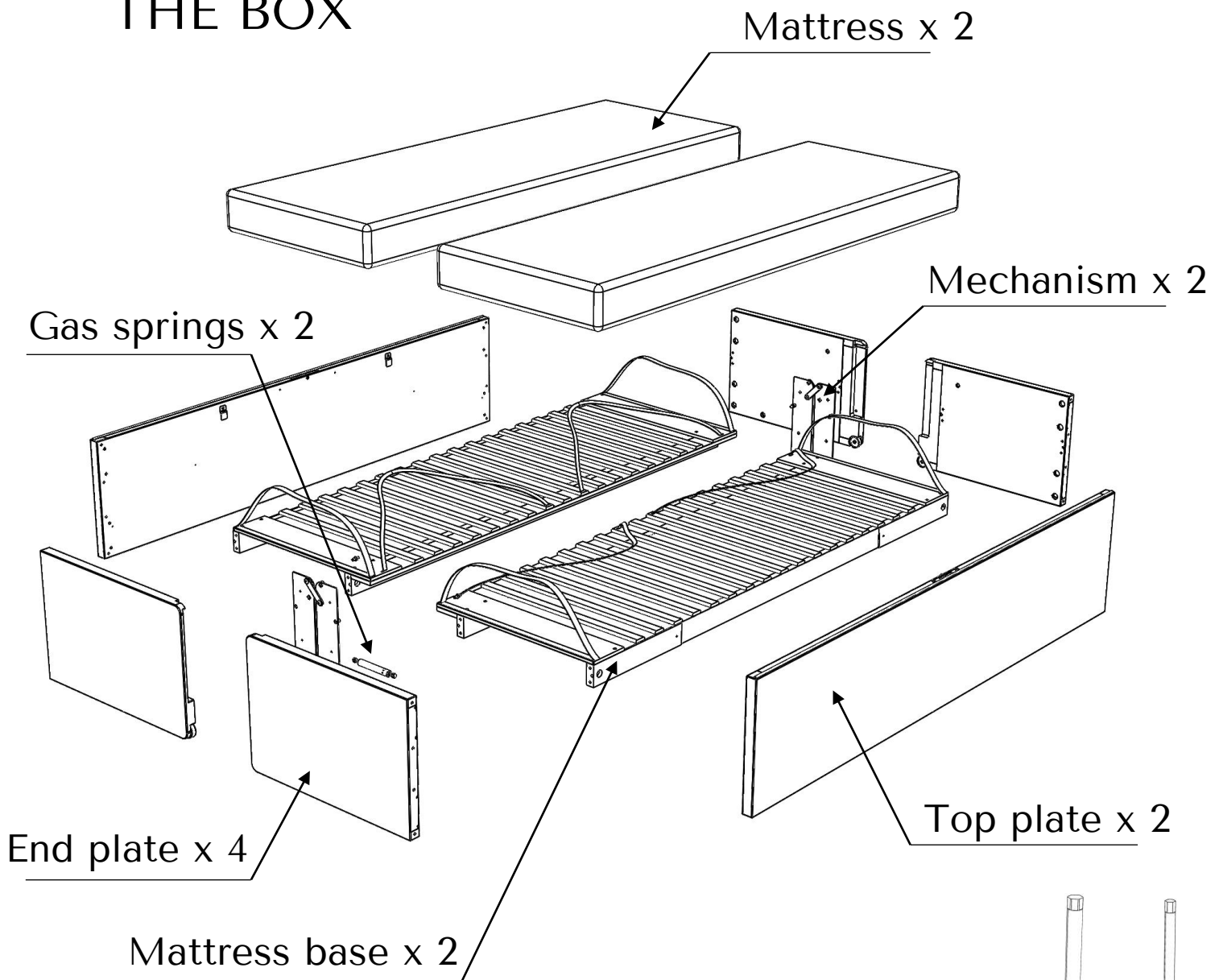




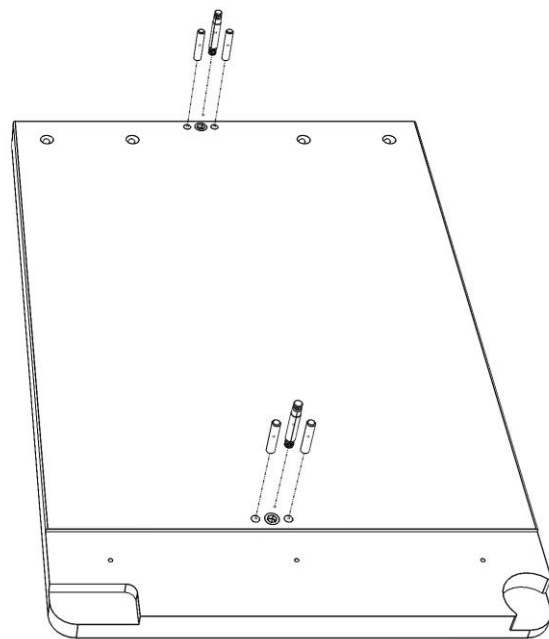
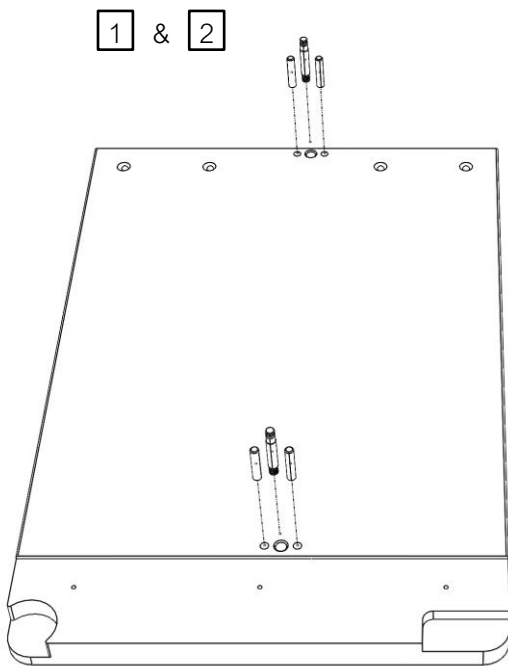
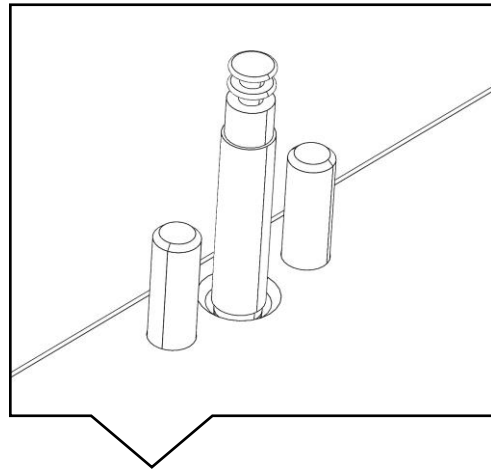
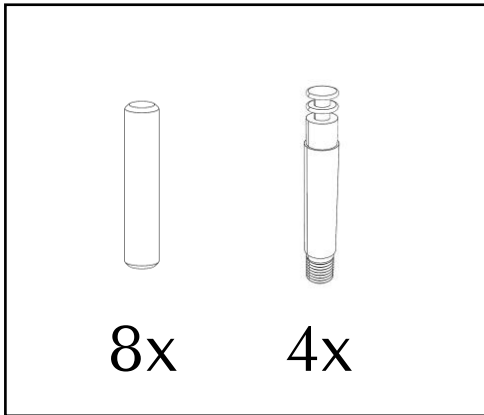
+358 40 700 5223
INFO@TABLEBED.COM
TABLEBED.COM



WHAT'S IN THE BOX



1



- Insert wood dowels in specified slots.
 - Insert screws in specified slots
- Repeat this for both [1] and [2].



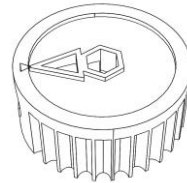
2



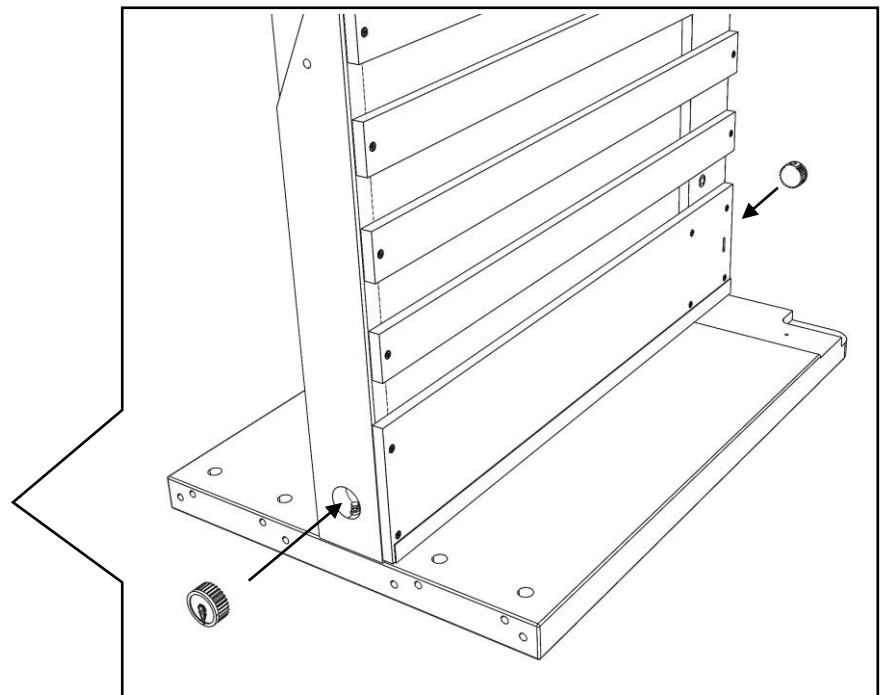
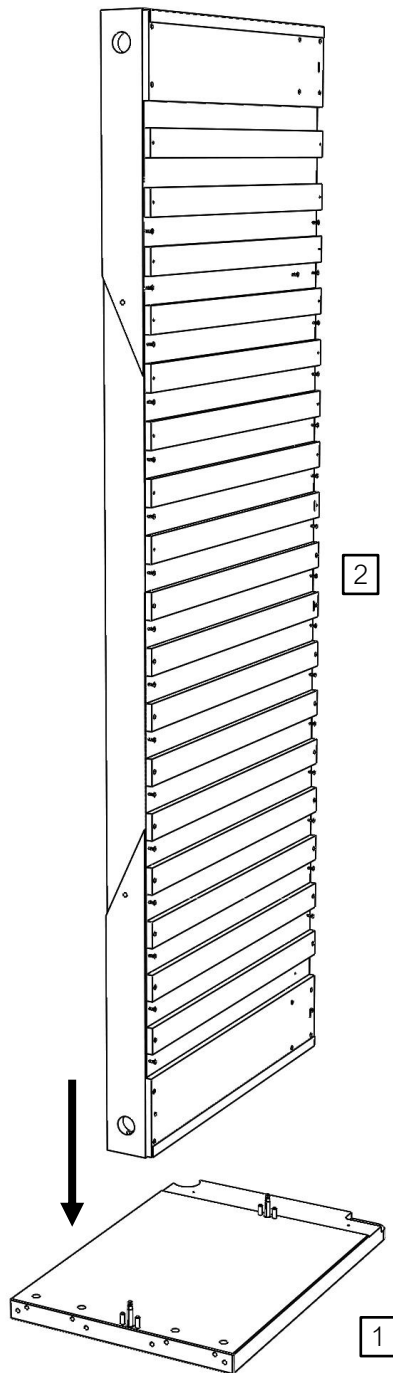
NOTICE; 2 PERSONS
NEEDED!

One person should hold the
parts stable while the other
person is fastening them.

Make sure the fastener is
pointing in the right
direction, so it can be
tightened.



2x



Put down part [1] on the
even and safe floor.

Add fasteners and
mount part [2] to part [1]

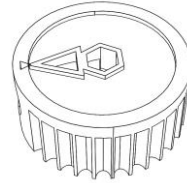
3



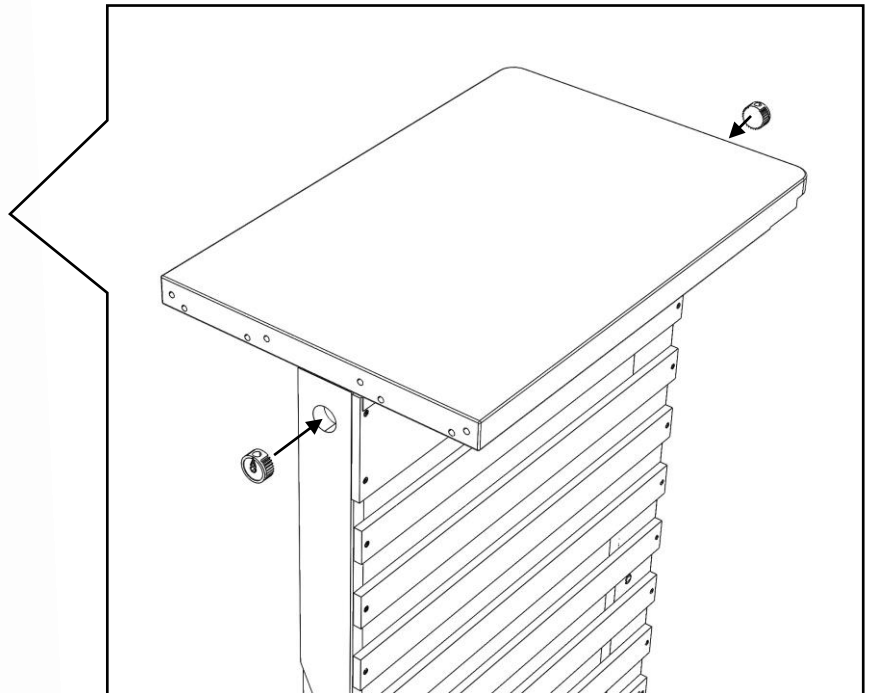
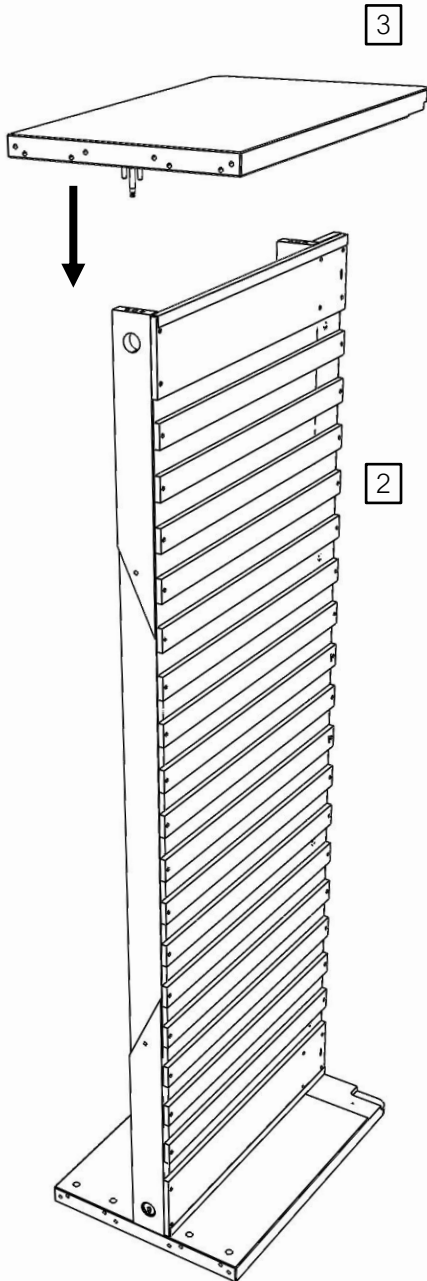
NOTICE; 2 PERSONS
NEEDED!

One person should hold the
parts stable while the other
person is fastening them.

Make sure the fastener is
pointing in the right
direction, so it can be
tightened.



2x



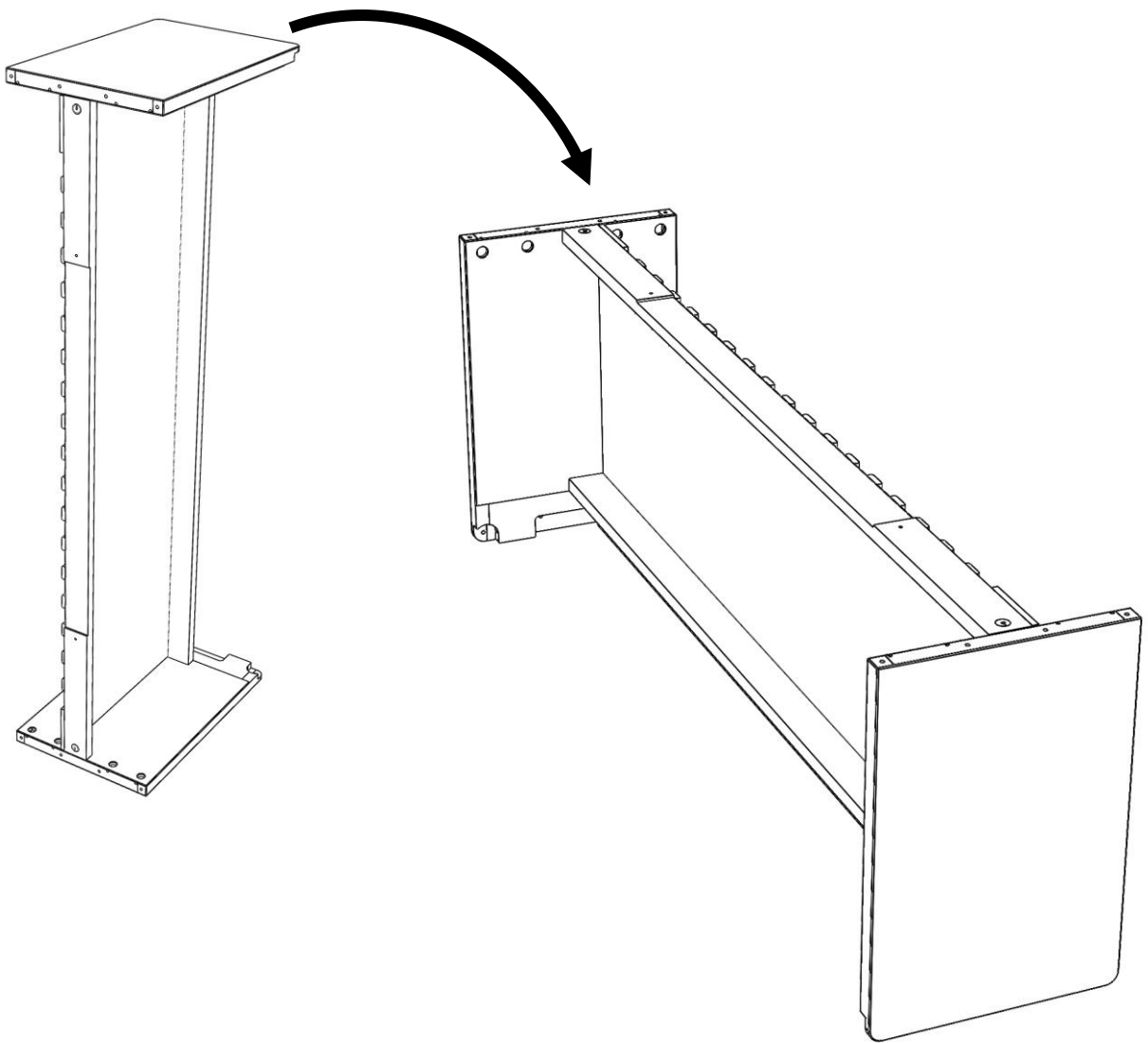
Add fasteners and
mount part [3] to part [2]

4

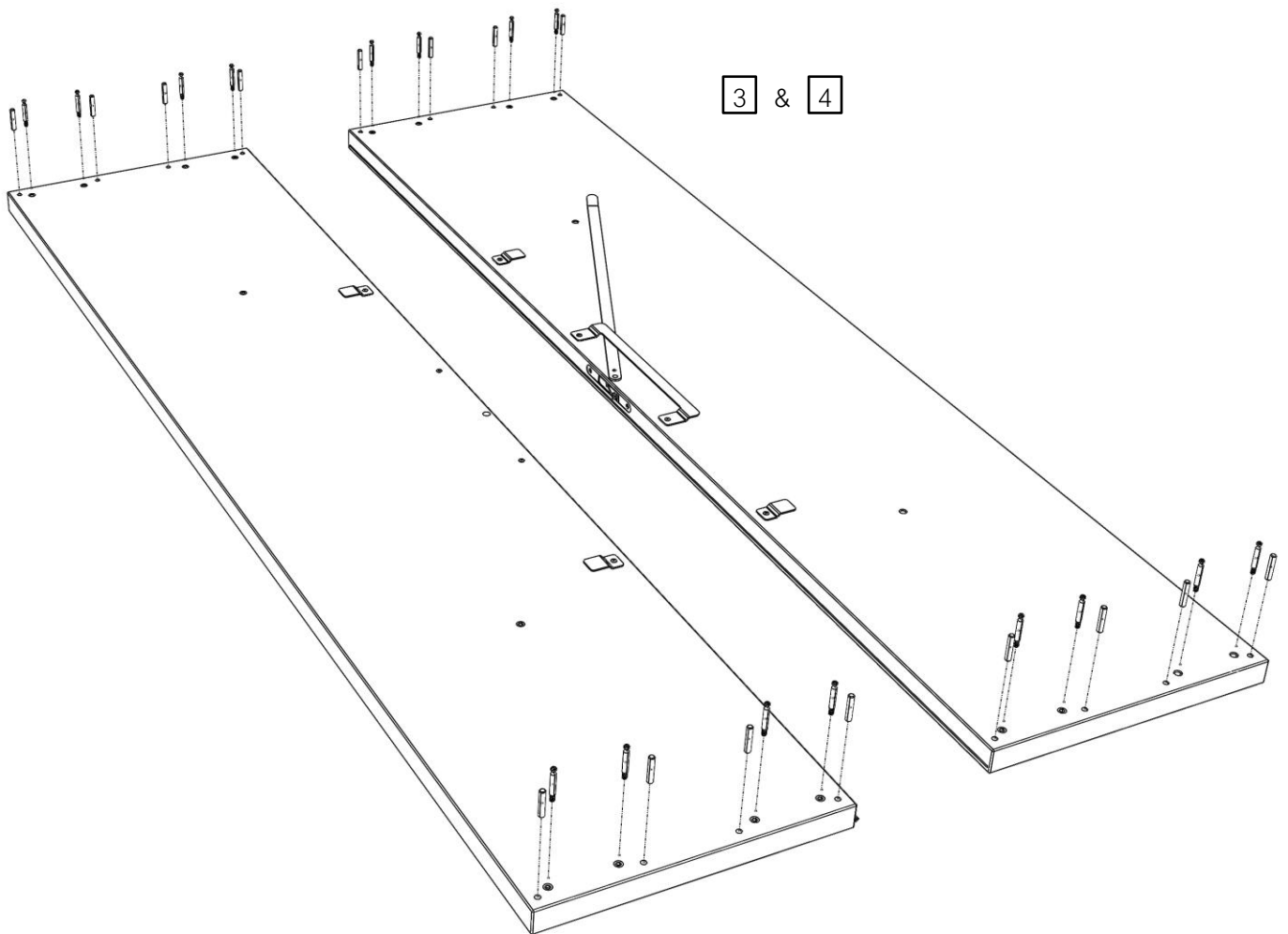
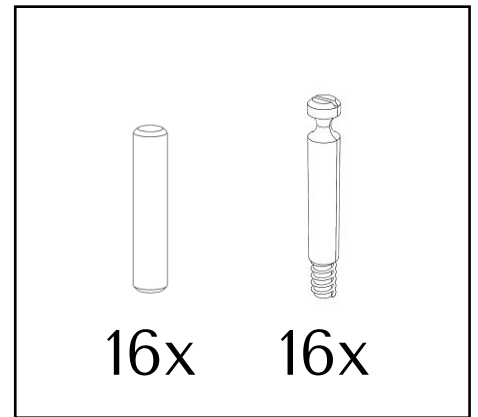


NOTICE; 2 PERSONS NEEDED!

Two persons are needed when turning the half bed.
Care is required!

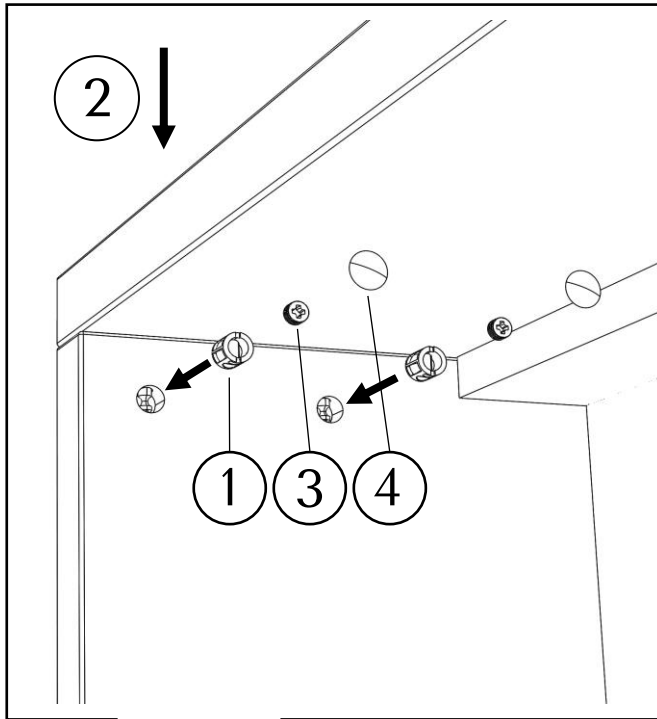


5

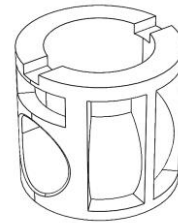


- Insert wood dowels in specified slots.
 - Insert screws in specified slots
- Repeat this for section both [3] and [4]

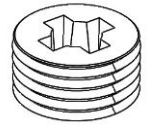
6



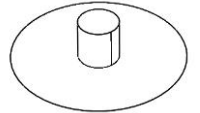
Make sure the fastener is in the right direction.



8x

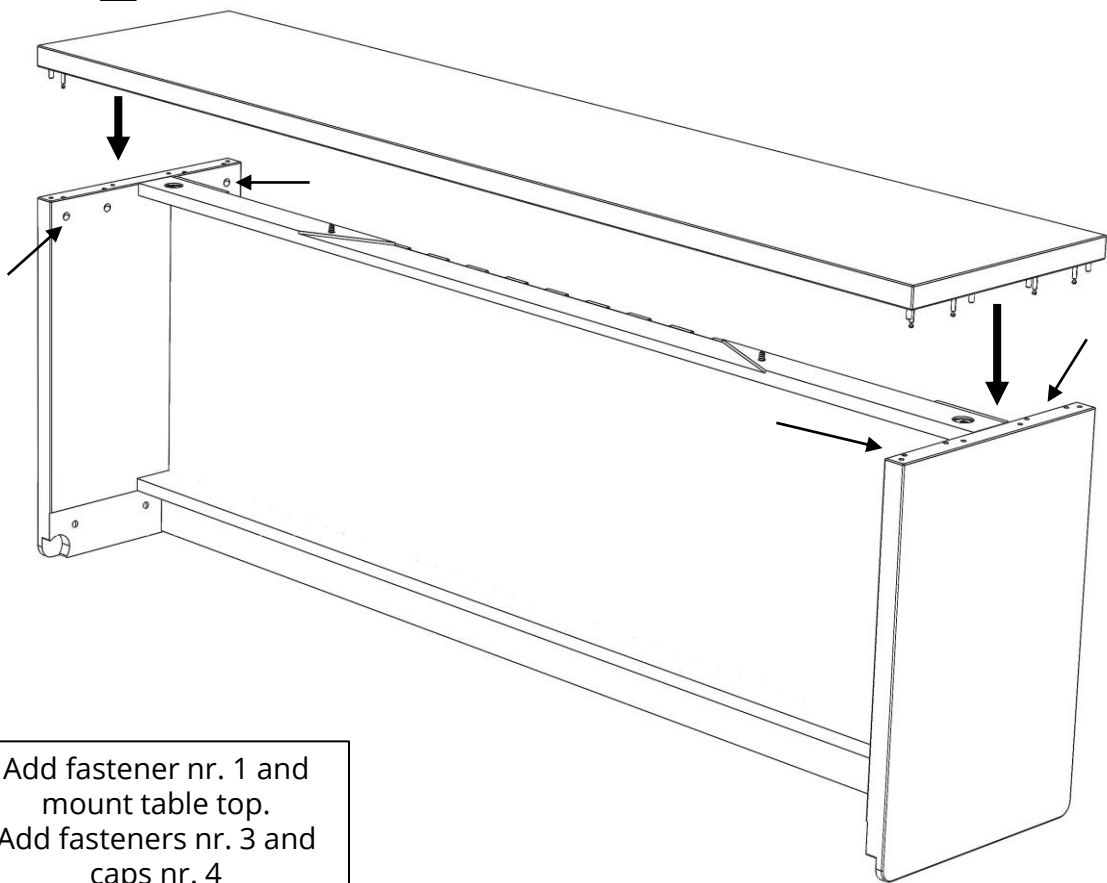


8x



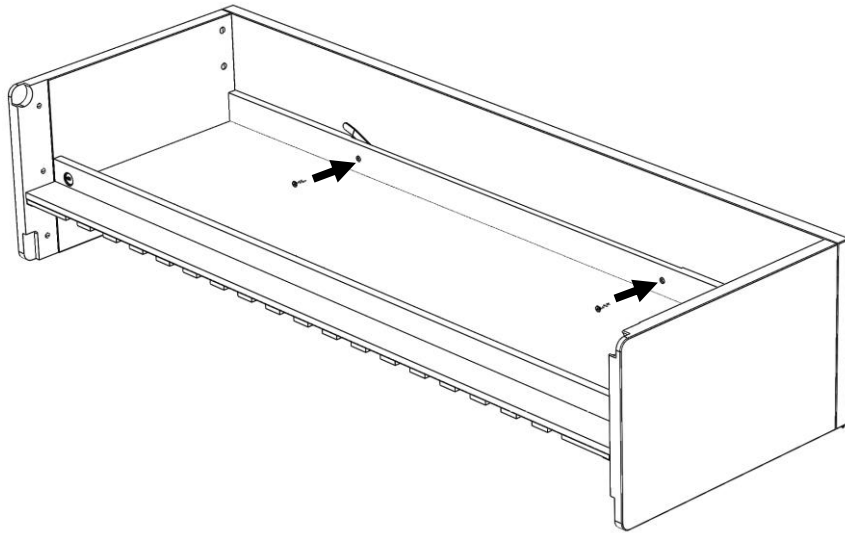
8x

4

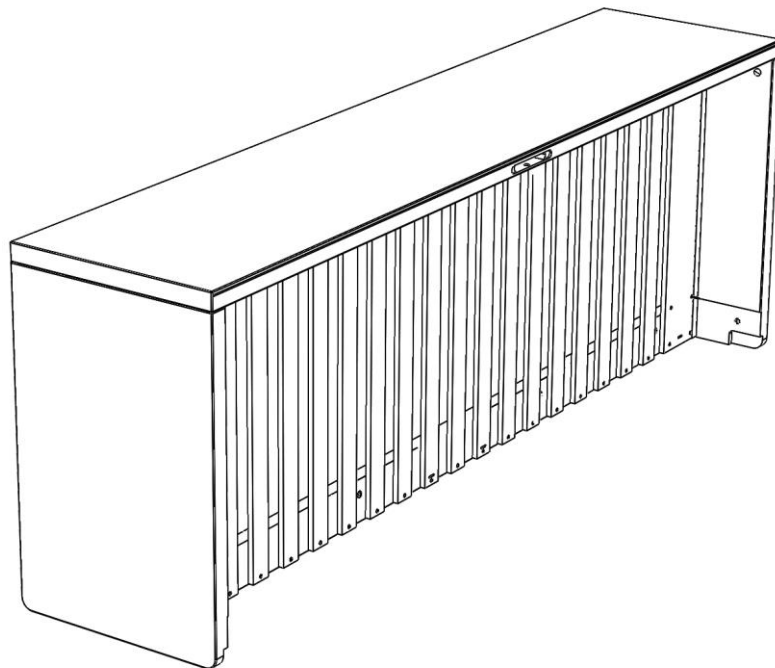
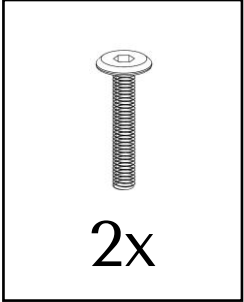


Add fastener nr. 1 and mount table top.
Add fasteners nr. 3 and caps nr. 4

7



Add screws.



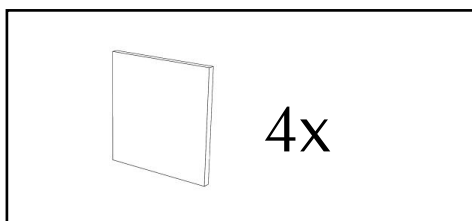
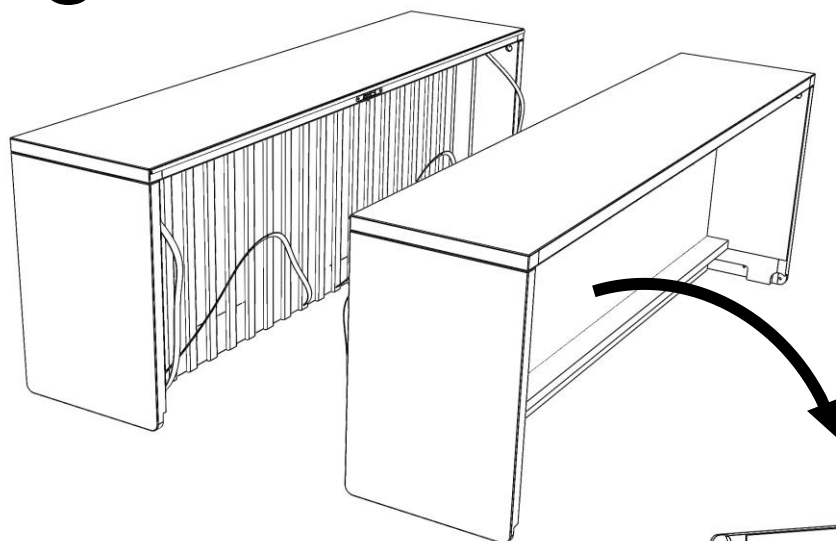
One halfbed is ready.
Repeat steps 1-7 to assembly
another halfbed in the same way.

8

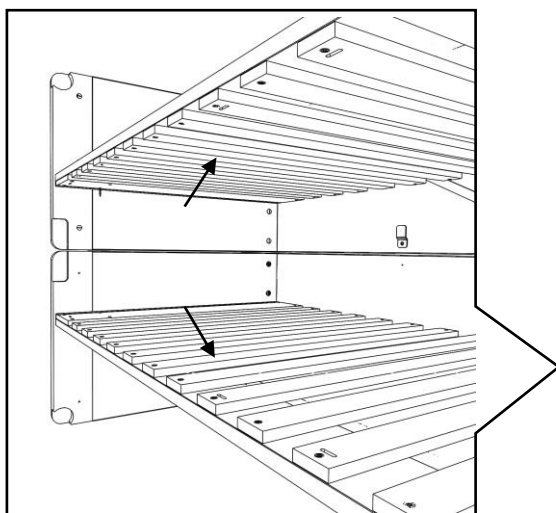
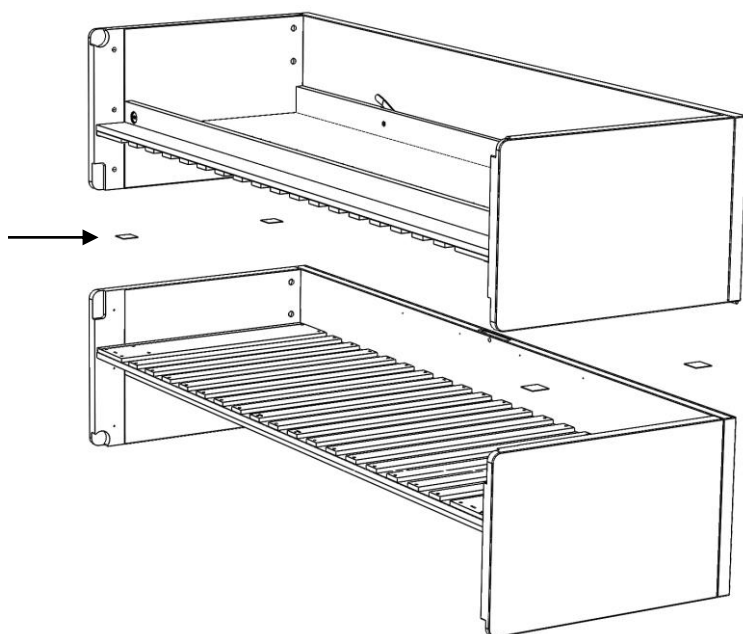


NOTICE; 2 PERSONS
NEEDED!

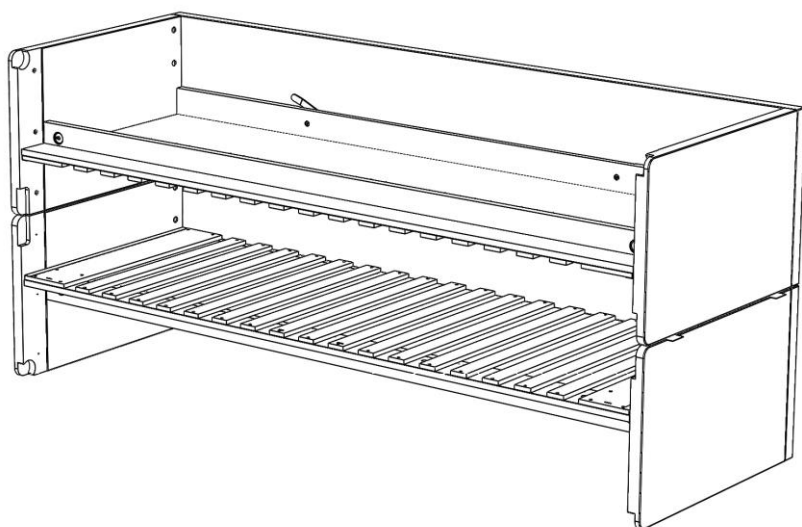
Two persons are needed
when turning the halfbeds.
Care is required!



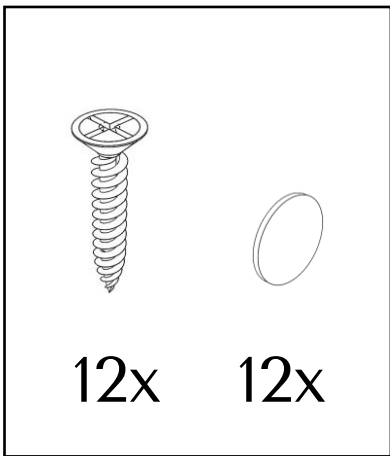
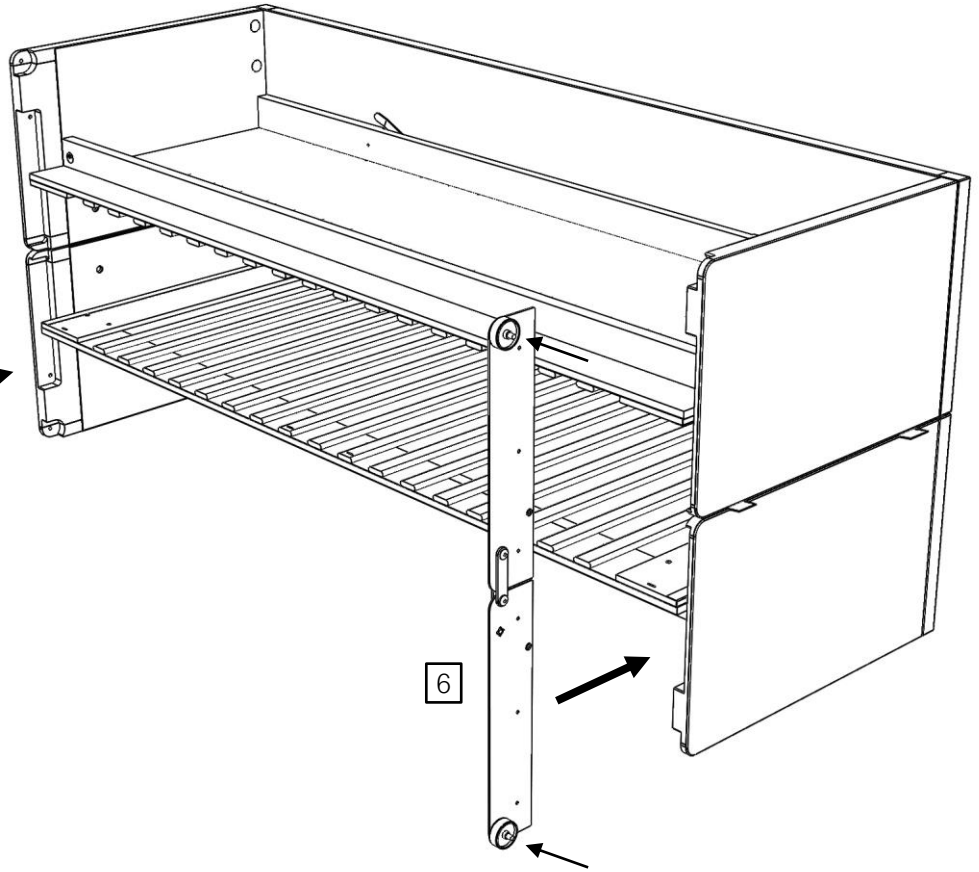
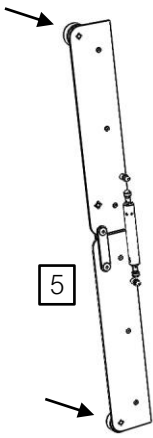
Add assembly plates between
the halfbeds.



Check that the halfbeds are in
right position and slats against
each other

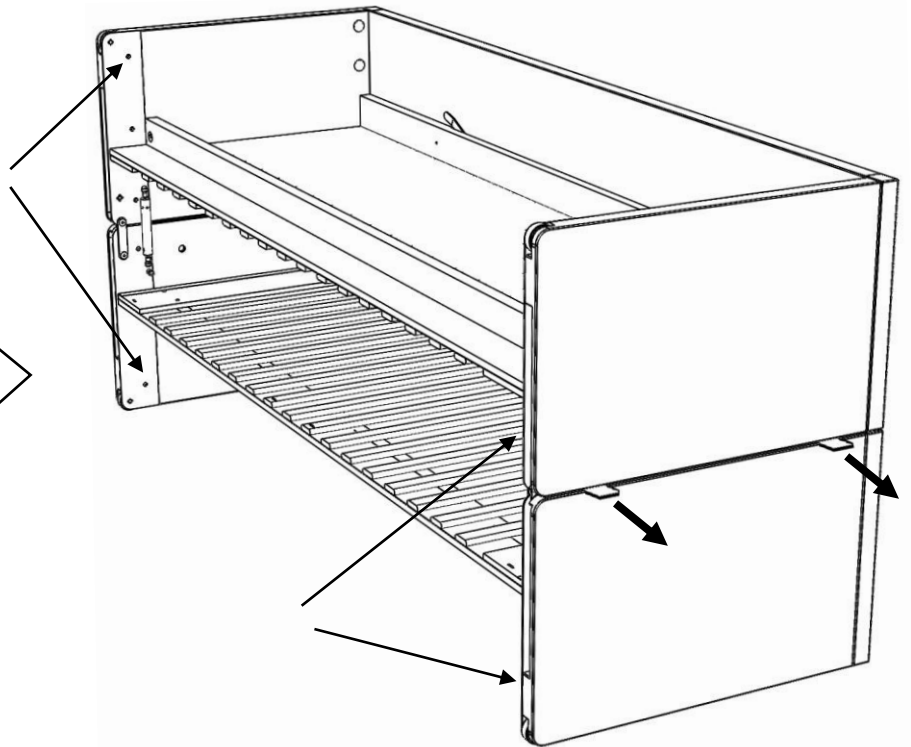
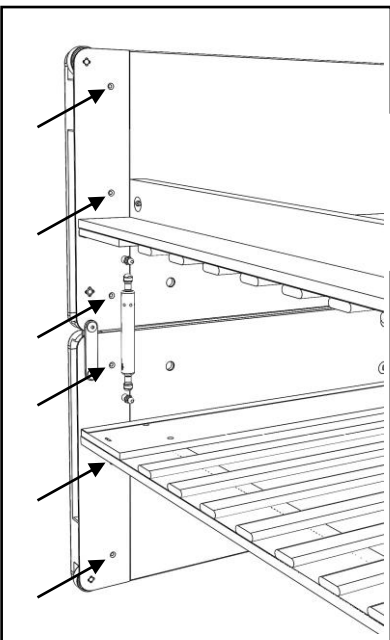


9



Add wheels and mount part [5] and [6].
Add screws and caps

Remove assembly plates

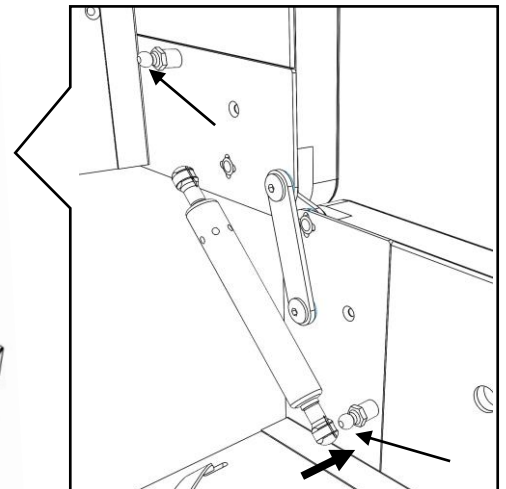
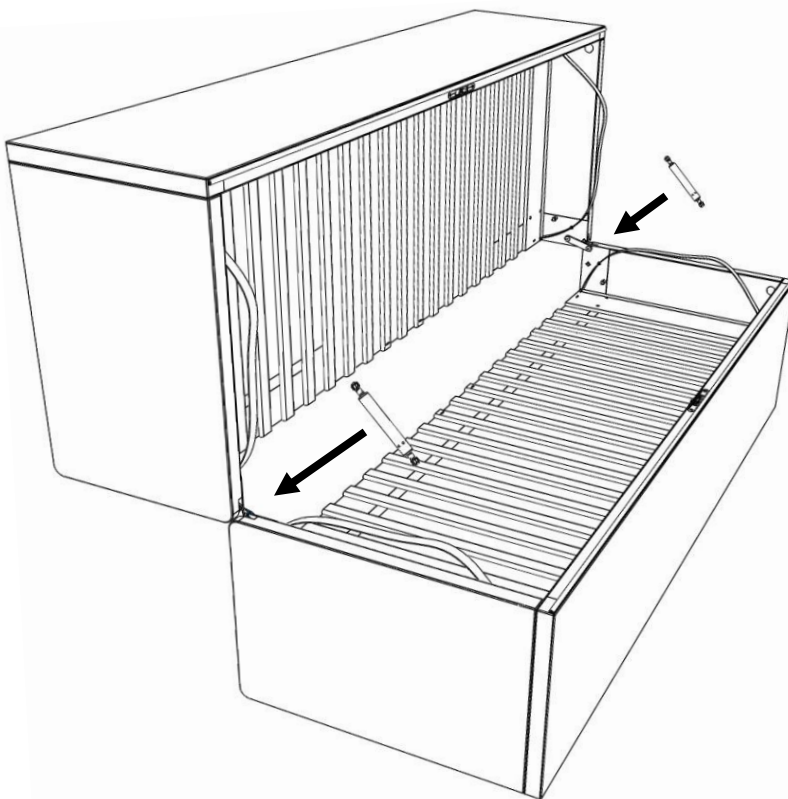
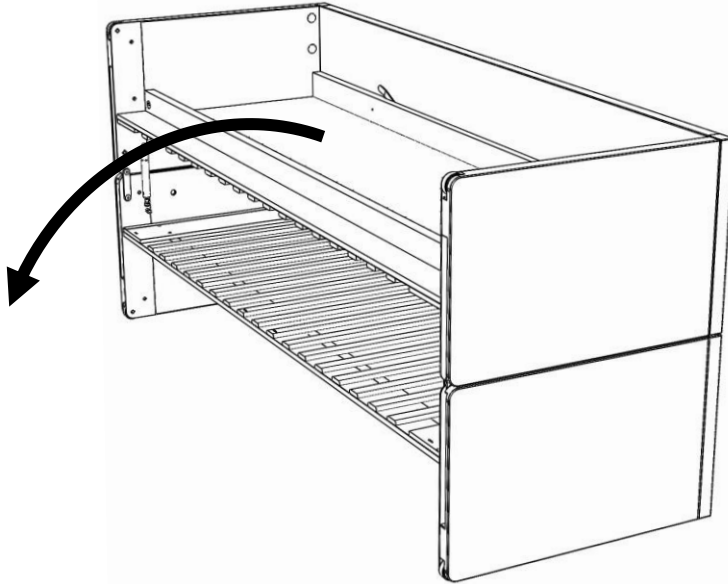


10



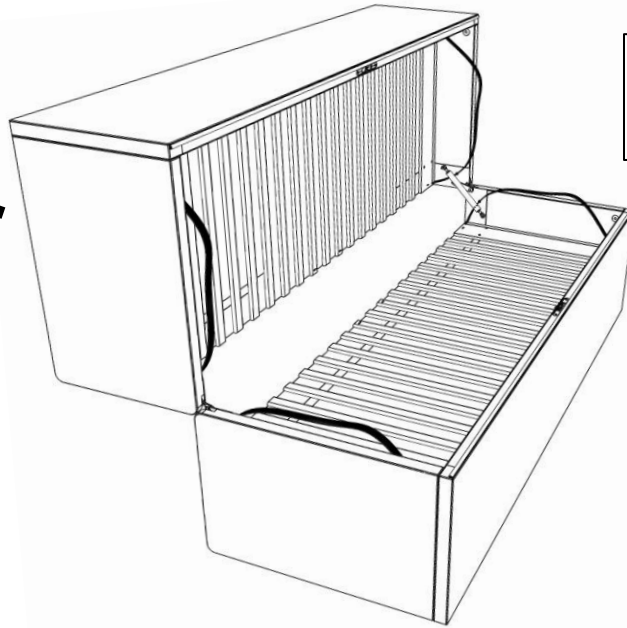
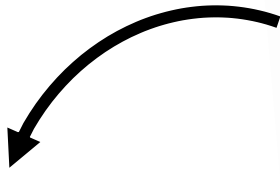
**NOTICE; 2 PERSONS
NEEDED!**

Two persons are needed for opening the tablebed for half ways and attaching the gas springs. Care is required!

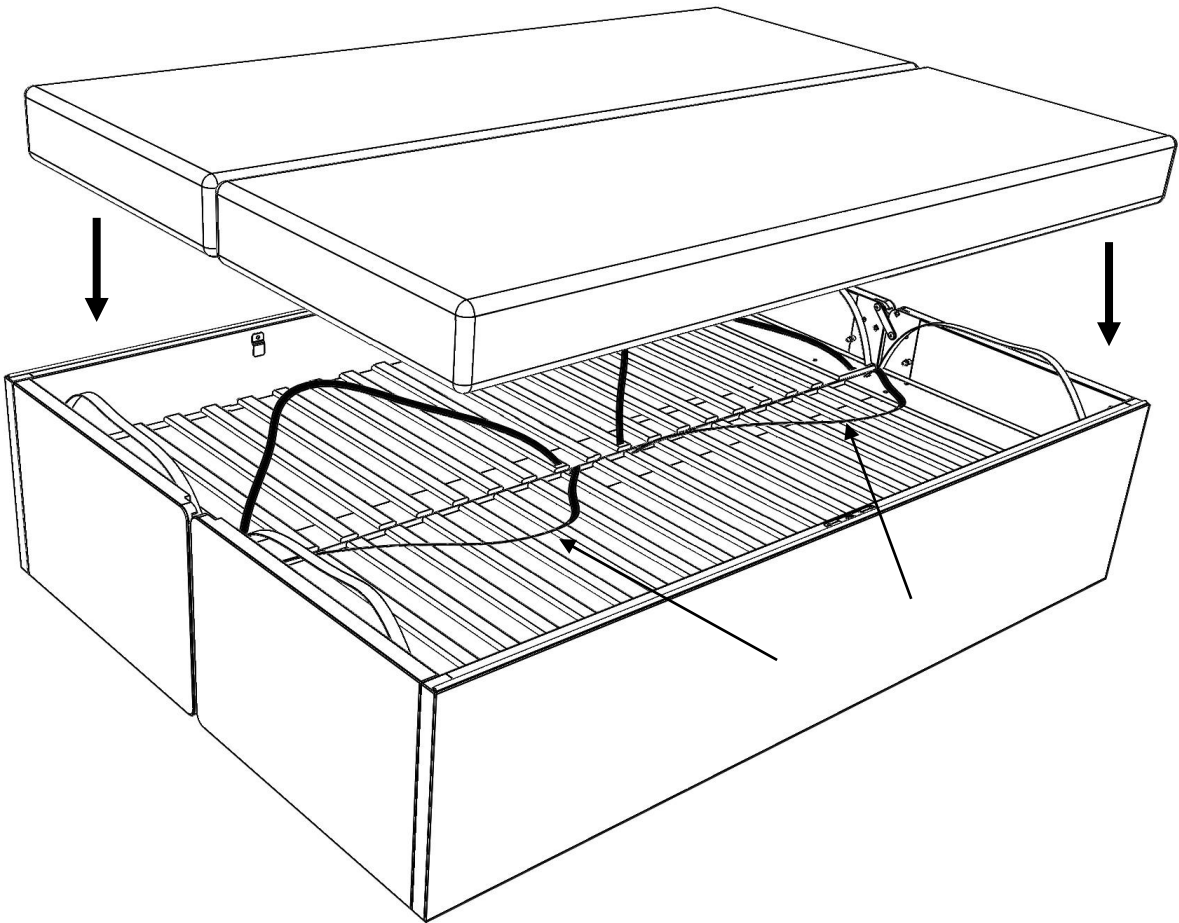


Attach the gas springs by pushing both ends to their places

11

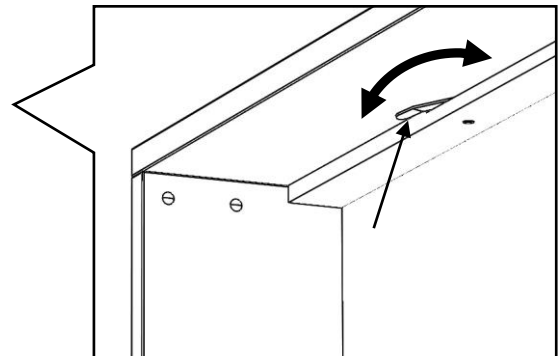
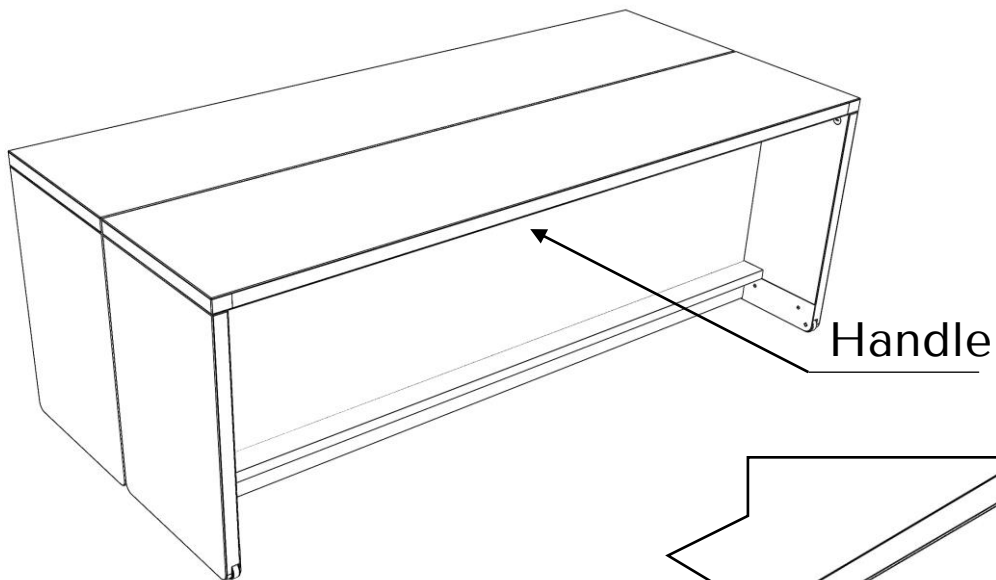


Push table apart to fold down into bed. Use straps.



Add mattresses and rubber bands to keep mattresses in place.

Open / Close the bed by using the handle



Cleaning

Wipe the table with a moist cloth, and if needed mild detergent. No abrasive substances or tools.



USER AND SAFETY INSTRUCTIONS

Tablebed is a multifunctional furniture that have several moving parts. Make sure you read carefully and thoroughly these instructions before any use of the product.

1 Assemble the Tablebed before any use of the product. Follow the steps of the assembly manual. Safe assembly requires always at least 2 persons

2 Tablebed is meant be used as a table and/or a bed. Tablebed or its parts should not be modified or used separately in any other way. Use Tablebed mattresses, or mattresses with similar weight and dimensions.

3 Tablebed is meant for indoor use in a dry environment. Outdoor usage may result in damages on the material.

4 Tablebed should be kept as a table or a bed, do not leave it opened halfway.

5 We recommend using a (thin) carpet under the Tablebed to protect the edges from wear and tear. A thin carpet may also be recommended if the floor surface is sensitive to wear and tear.

6 Use lifting straps when opening and closing the Tablebed. Make sure you have a good, stable and wide grip. Open and close the Tablebed with good and safe lifting technique and controlled motion.

7 Do not sit or jump on the table or use in any other inappropriate way. A heavy concentrated force or weight may result in damaging the Tablebed.

8 Do not stand or jump on the bed or use in any other inappropriate way. A heavy concentrated force or weight may result in damaging the Tablebed.

9 Make sure there are no small children and/or pets near, under or on the table or bed, when opening and closing the Tablebed.

10 Make sure you do not have your fingers, feet or any other body parts in front of or between Tablebed parts, hinges or wheels when opening or closing the Tablebed.

11 Do not place hot objects or pans on the surfaces of Tablebed without protection.

12 Do not hit or use sharp objectives on the surfaces of the Tablebed.

13 Do not use any cleaner that is abrasive, or which contains chlorine bleach. Do not use sharp steel wool or nylon scrubbing pads. Use only mild detergents and/or a moist cloth.

14 Tablebed is should be kept in the same place. In case you want to lift or move an assembled Tablebed, care is required.

a) be sure to lift it with several persons and with a good and safe grip and lifting technique.

b) there is also the possibility to open the Tablebed halves in a 45-degree angle and activate the wheels to move it easily in horizontal direction, i.e. meaning either to left or right.

15 When disassembling Tablebed, proceed in the reverse order of the assembly instructions. Safe disassembly requires always at least 2 persons.

16 Tablebed cannot be held responsible for or taken to court in any case of injuries or damages, that have occurred through any misuse of the Tablebed products.

TABLEBED GUARANTEE POLICY

Your warranty is only applicable on defects on material or workmanship on the product under normal use in accordance with the user and safety instructions of Tablebed. If your product is to be defective during the guarantee period, the original owner may contact the relevant store to proceed with the possible repairment, replacement or other compensation of the parts.

The warranty of Tablebed is limited to 3 years on manufacturing defects.

Upon examination of the product by Tablebed Ltd, if it is found to be defected, Tablebed Ltd will repair any fault of workmanship, free of charge, whilst reserving the right to decide to, pay compensation or to replace the entire product, or if no longer available, a similar product.

Damaged caused by misuse, accidents, negligence, abuse, or alteration of the product by the end customer, is explicitly excluded from this warranty and will not be refunded. This warranty does not cover stains, discoloration or scratches due to normal wear and tear. In no event shall this warranty give rise to any compensation for consequential loss.



T A B L E B E D

FROM TABLE TO BED IN 10 SECONDS