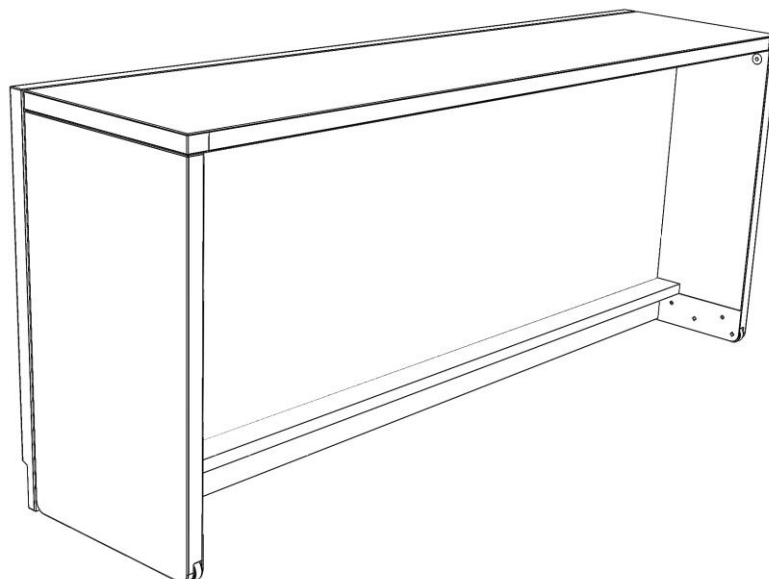
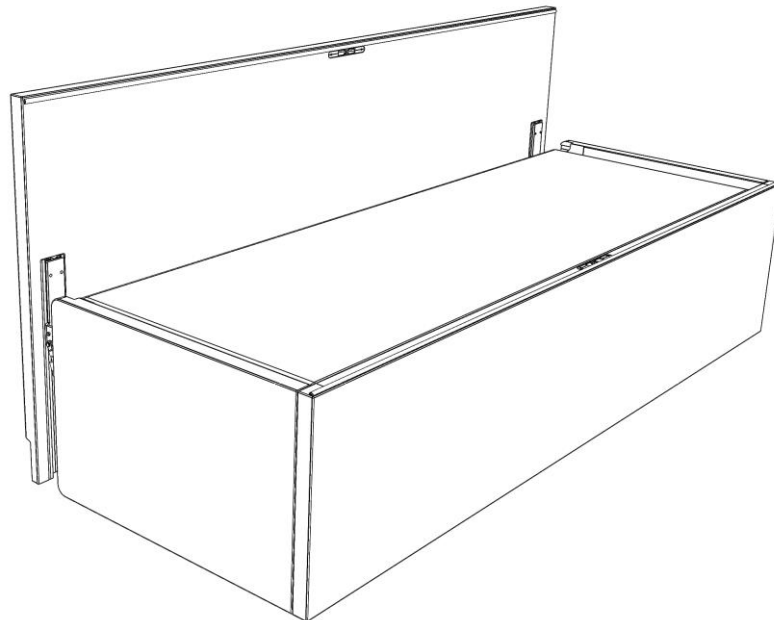


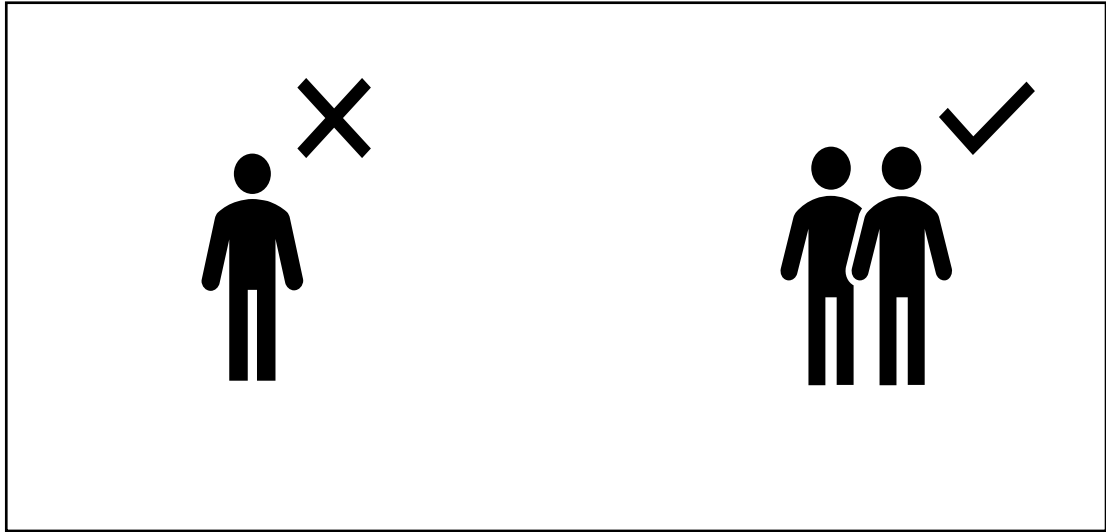


T A B L E B E D

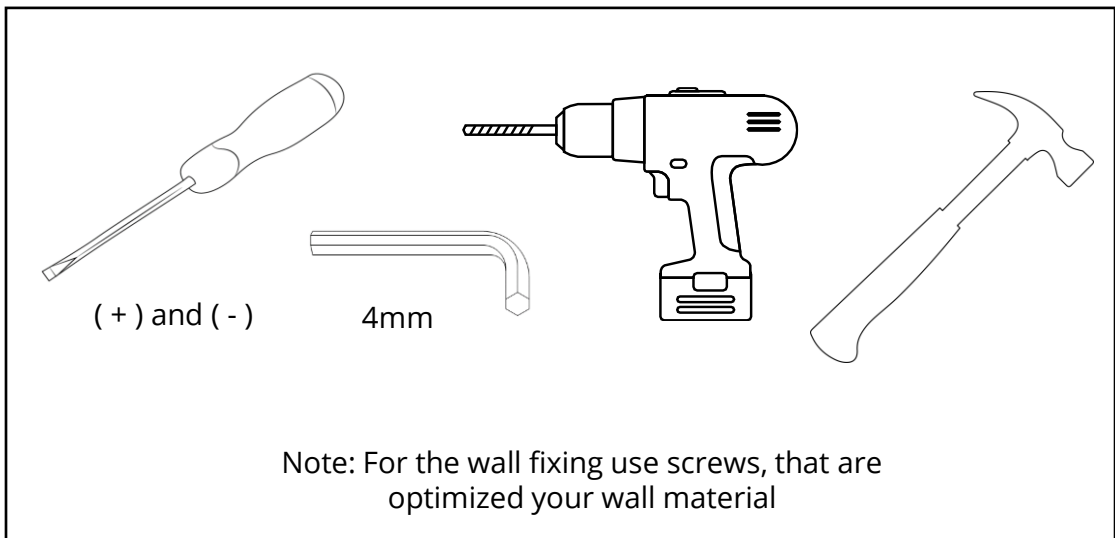
FROM TABLE TO BED IN 10 SECONDS

# SINGLE Assembly Manual & User and Safety Instructions

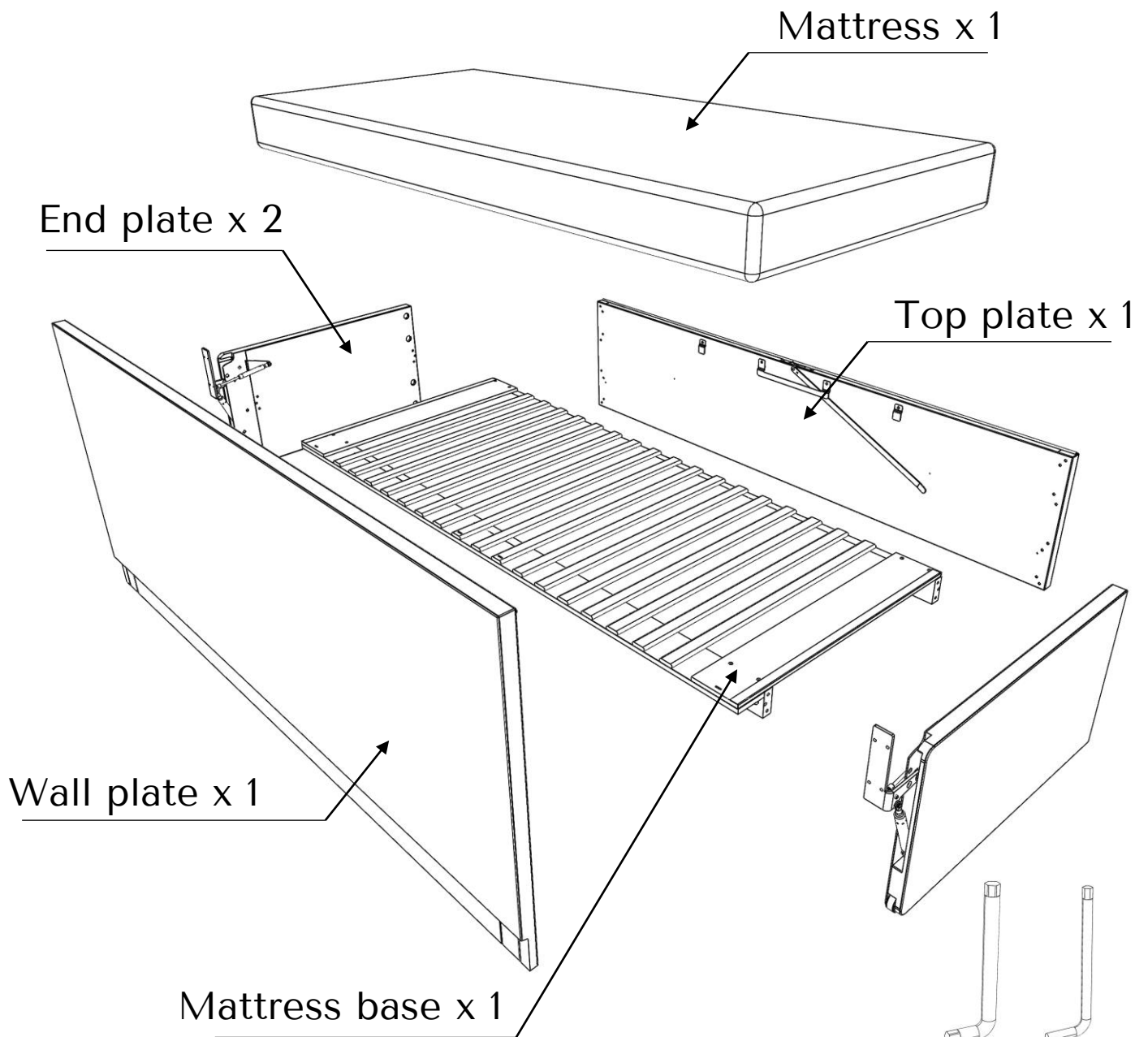




+358 40 700 5223  
INFO@TABLEBED.COM  
TABLEBED.COM



# WHAT'S IN THE BOX



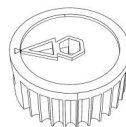
8x



8x



8x



4x



4x



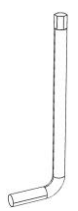
6x



6x



1x



1x

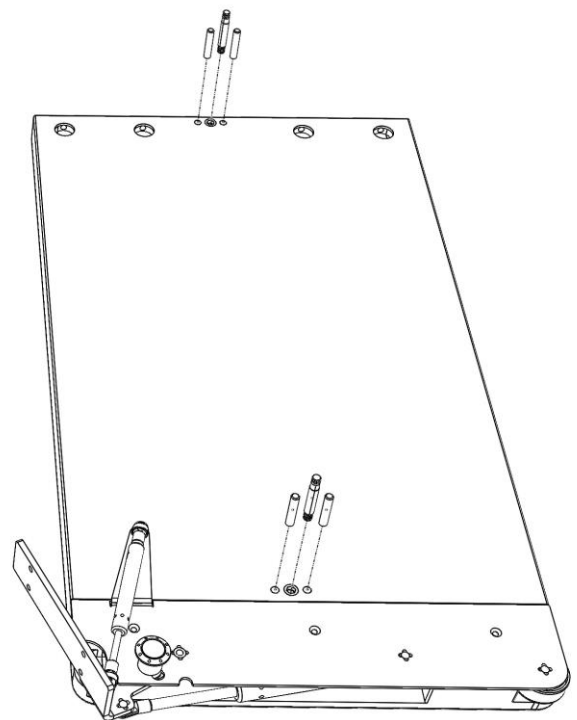
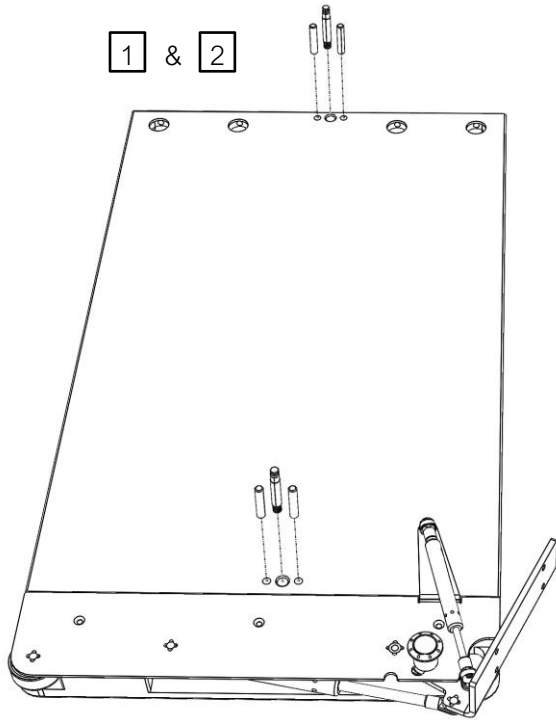
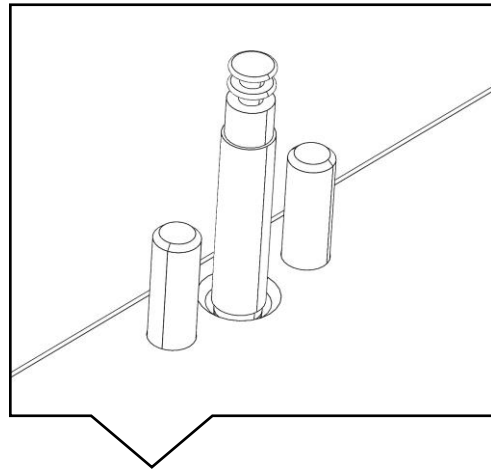
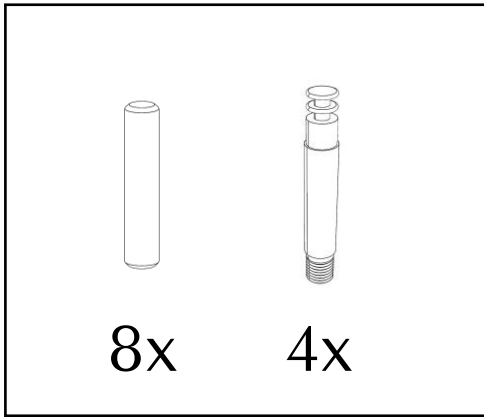


16x



8x

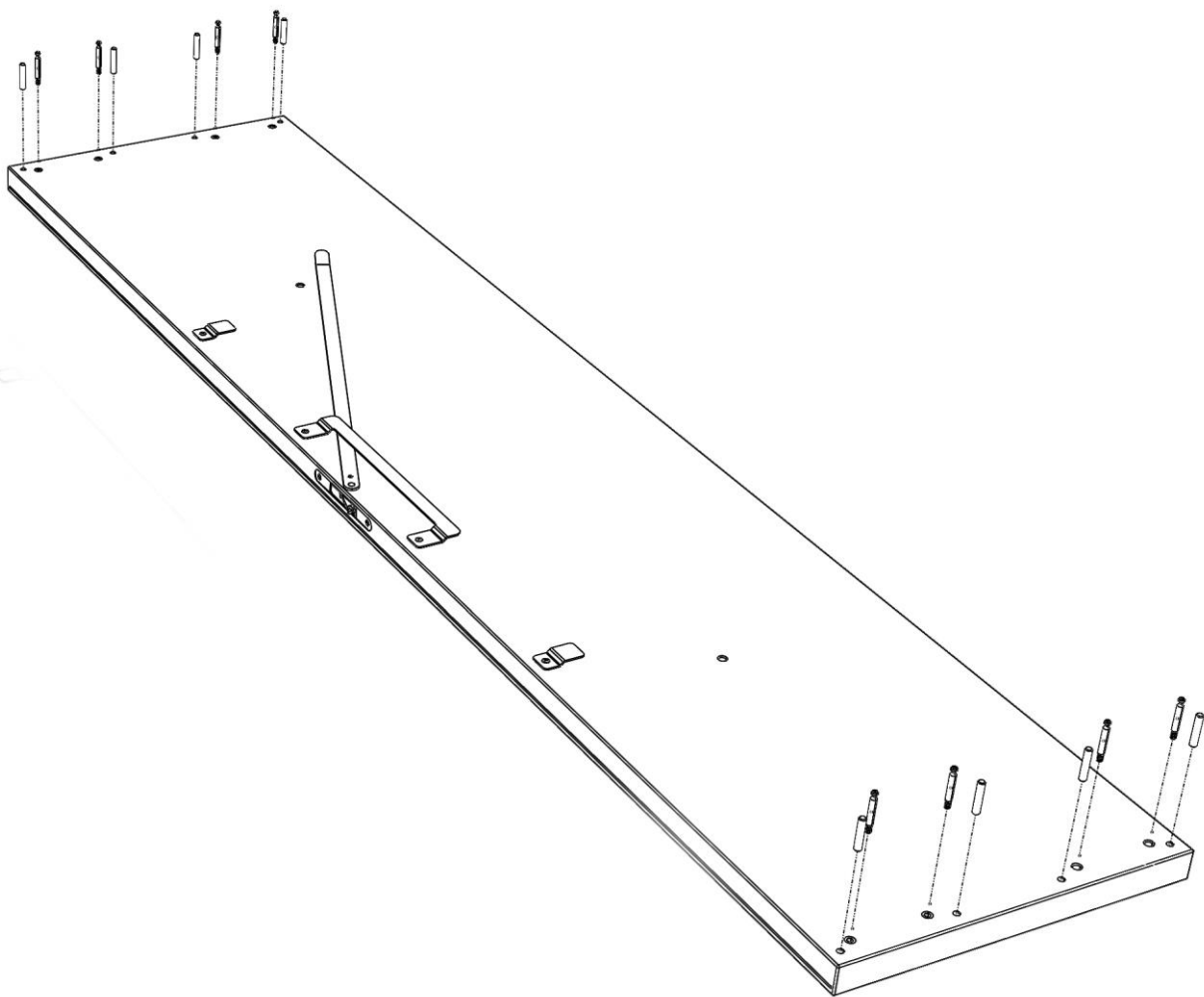
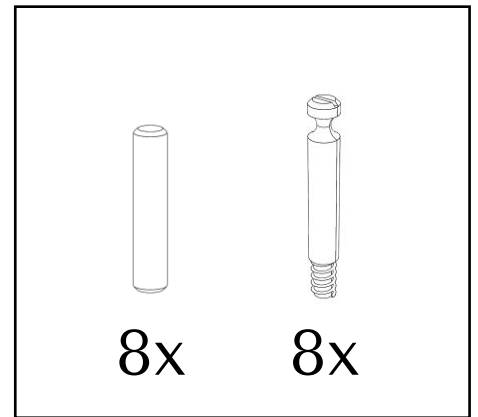
# 1



- Insert wood dowels in specified slots.
  - Insert screws in specified slots
- Repeat this for both [1] and [2].



# 2



- Insert wood dowels in specified slots.
- Insert screws in specified slots

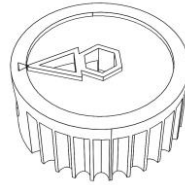
# 3



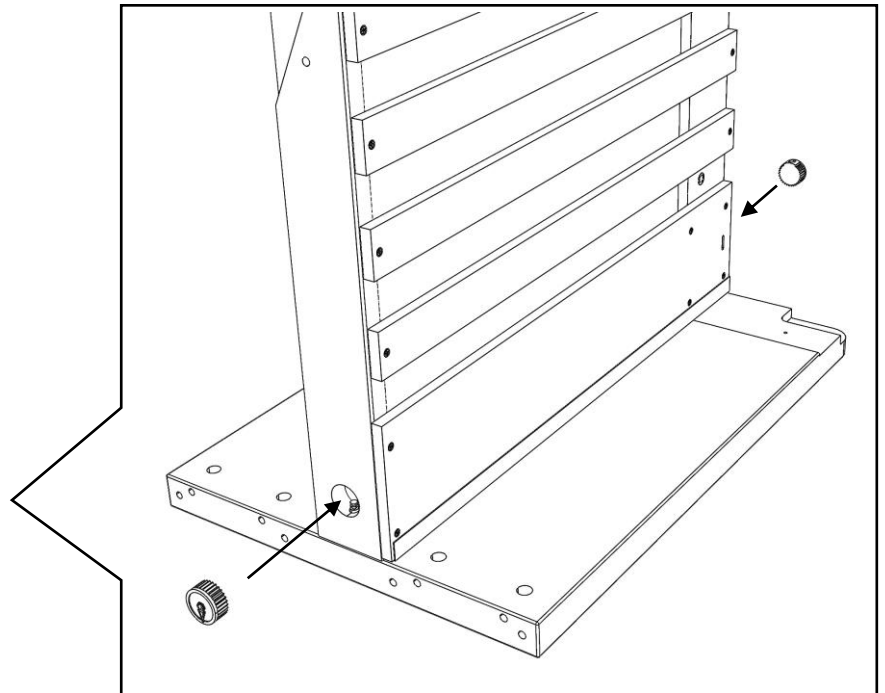
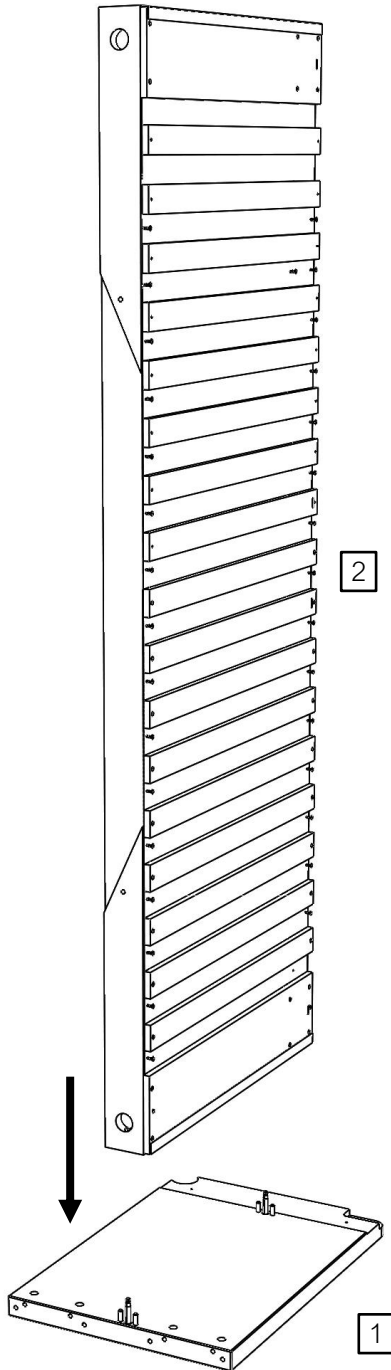
NOTICE; 2 PERSONS  
NEEDED!

One person should hold the  
parts stable while the other  
person is fastening them.

Make sure the fastener is  
pointing in the right  
direction, so it can be  
tightened.



2x



Put down part [1] on the  
even and safe floor. Use  
protection like  
cardboard.

Add fasteners and  
mount part [2] to part [1]

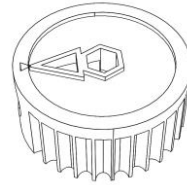
# 4



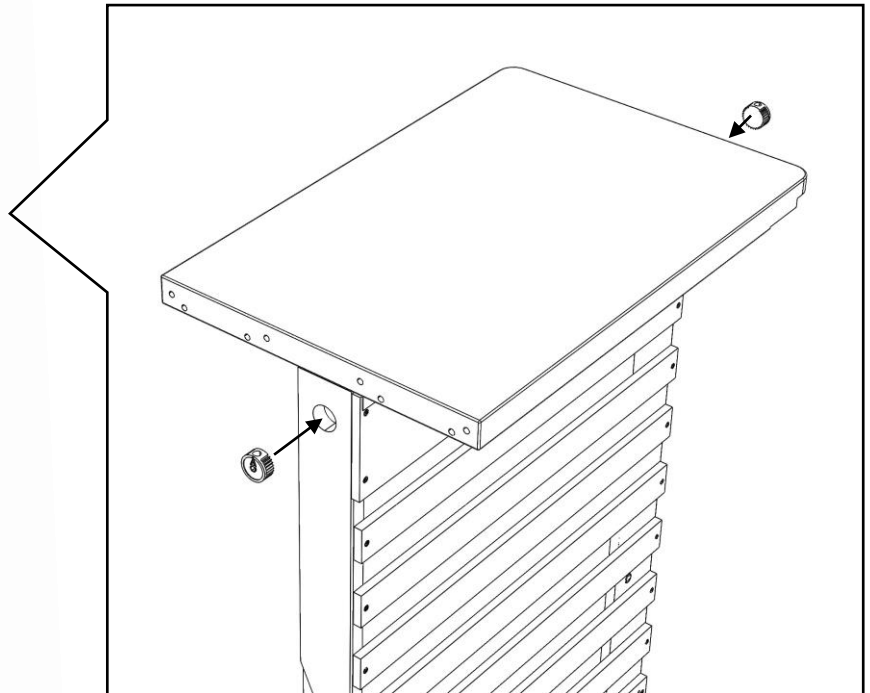
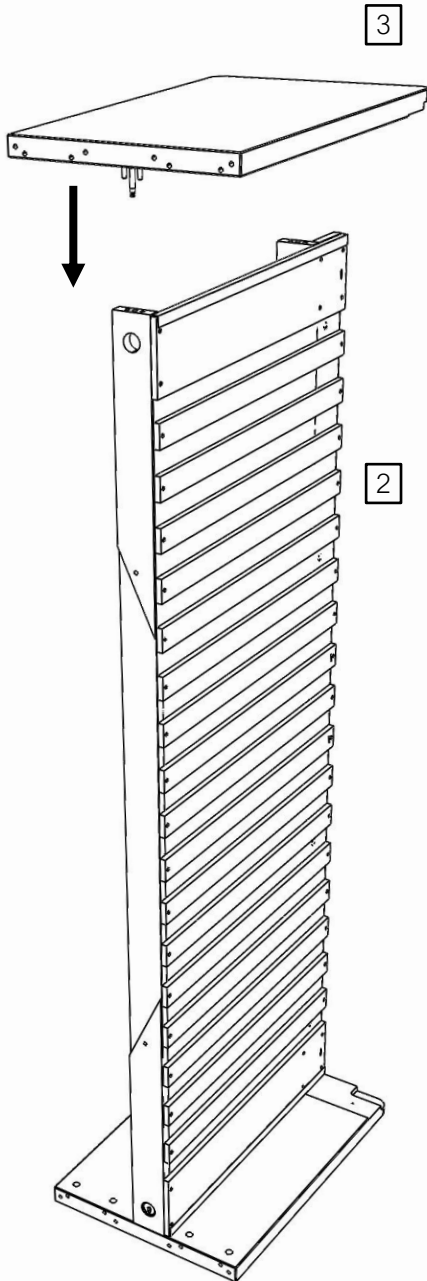
NOTICE; 2 PERSONS  
NEEDED!

One person should hold the  
parts stable while the other  
person is fastening them.

Make sure the fastener is  
pointing in the right  
direction, so it can be  
tightened.



2x



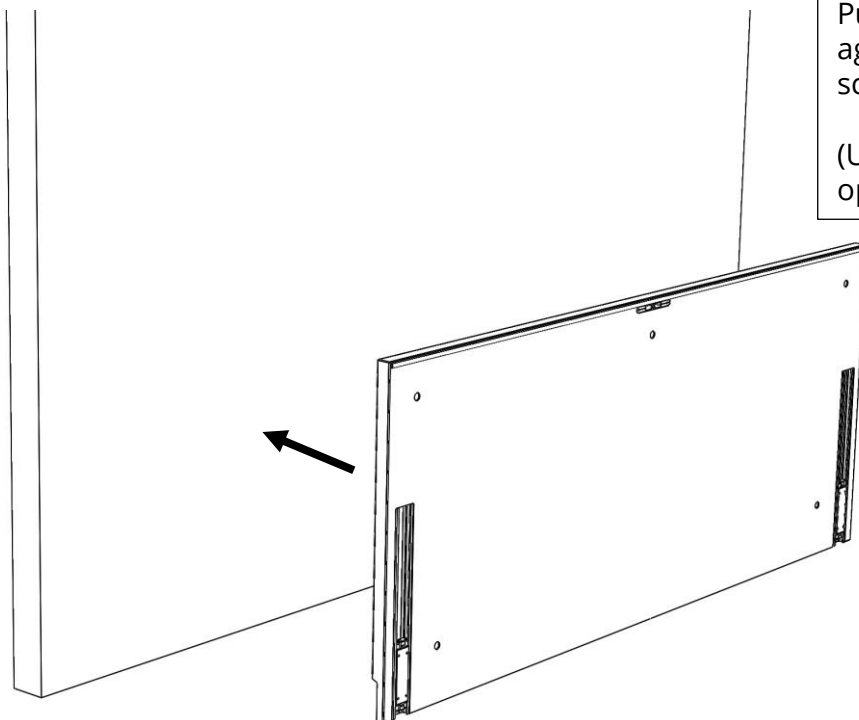
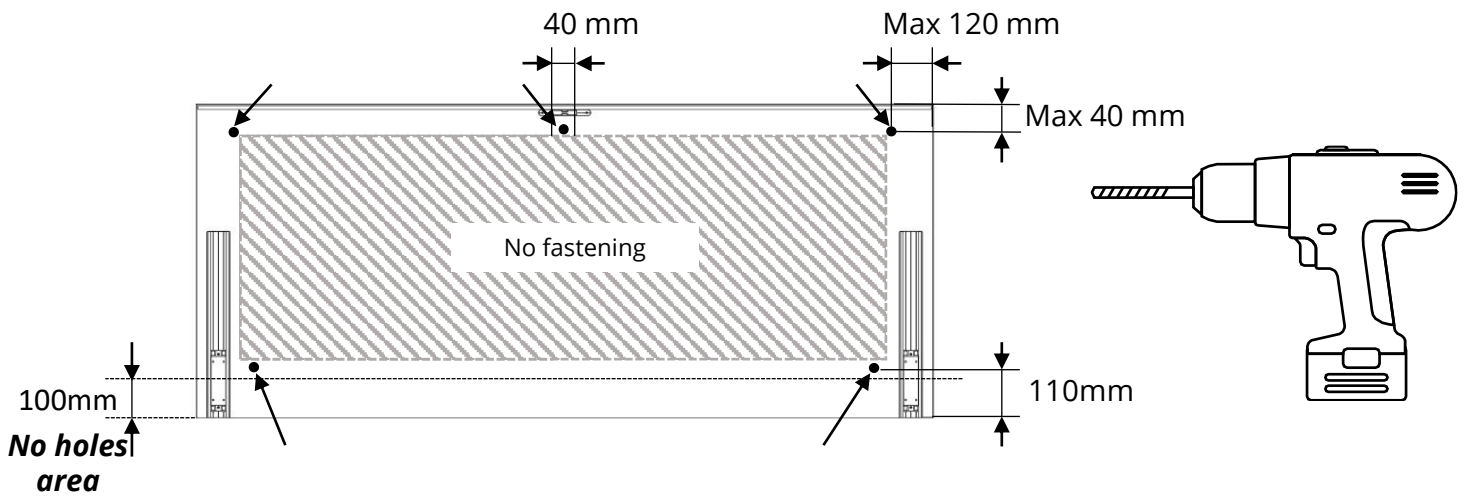
Add fasteners and  
mount part [3] to part [2]

# 5

Wall plate: Drill holes x 5 to the wall plate according wall structure and suggested layout below. The wall plate must be attached firmly to the wall - use internal wall structure if wall is made from light materials. Use countersunk screws with matching caps.

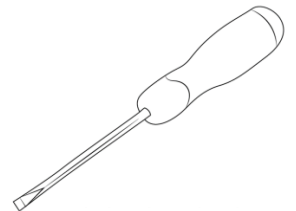
Suggested positions are:

- 3 holes along top edge
- 2 holes in the bottom corners



Push up the half bed up against the wall and mount screws.

(Use screws, that are optimized your wall material)



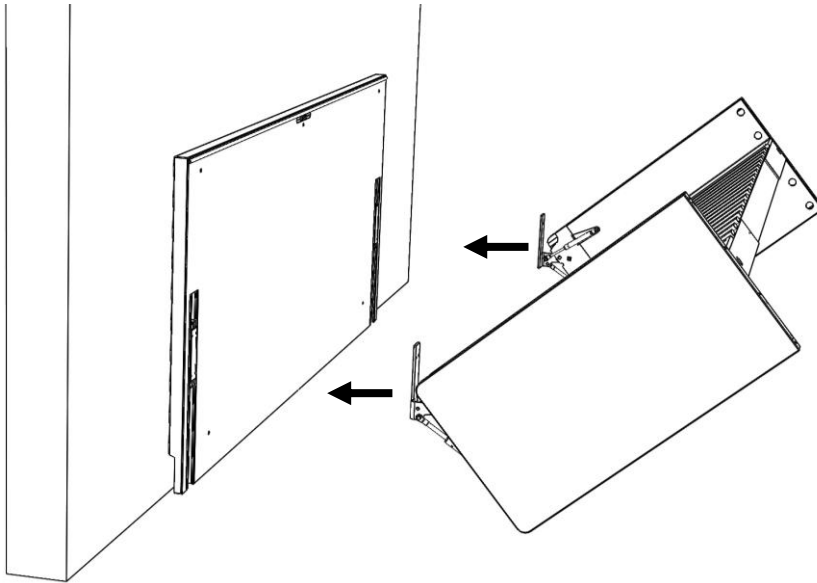


# 6

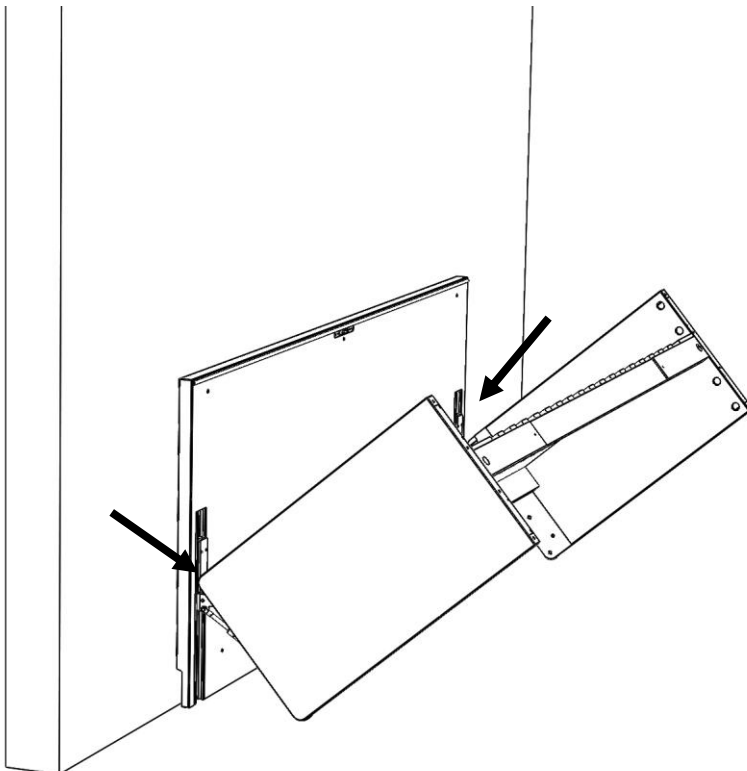


NOTICE; 2 PERSONS  
NEEDED!

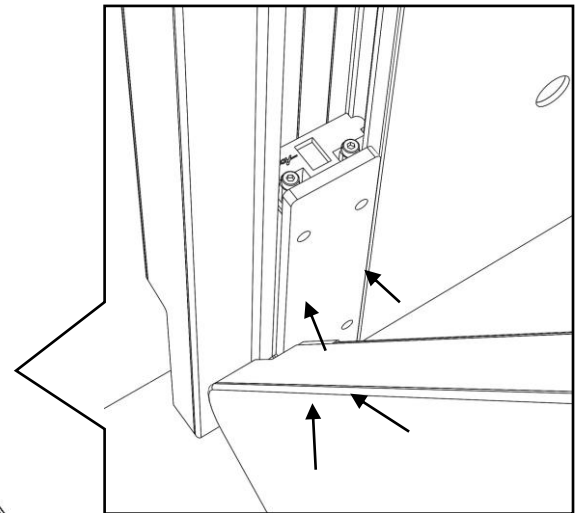
Hold the halfbed stable and  
make sure the halfbed stays  
in right position while the  
other person attaches  
halfbed to the sliders  
Care is required!



Push up the half bed  
against the wall plate.



Mount screws  
(8 pcs)



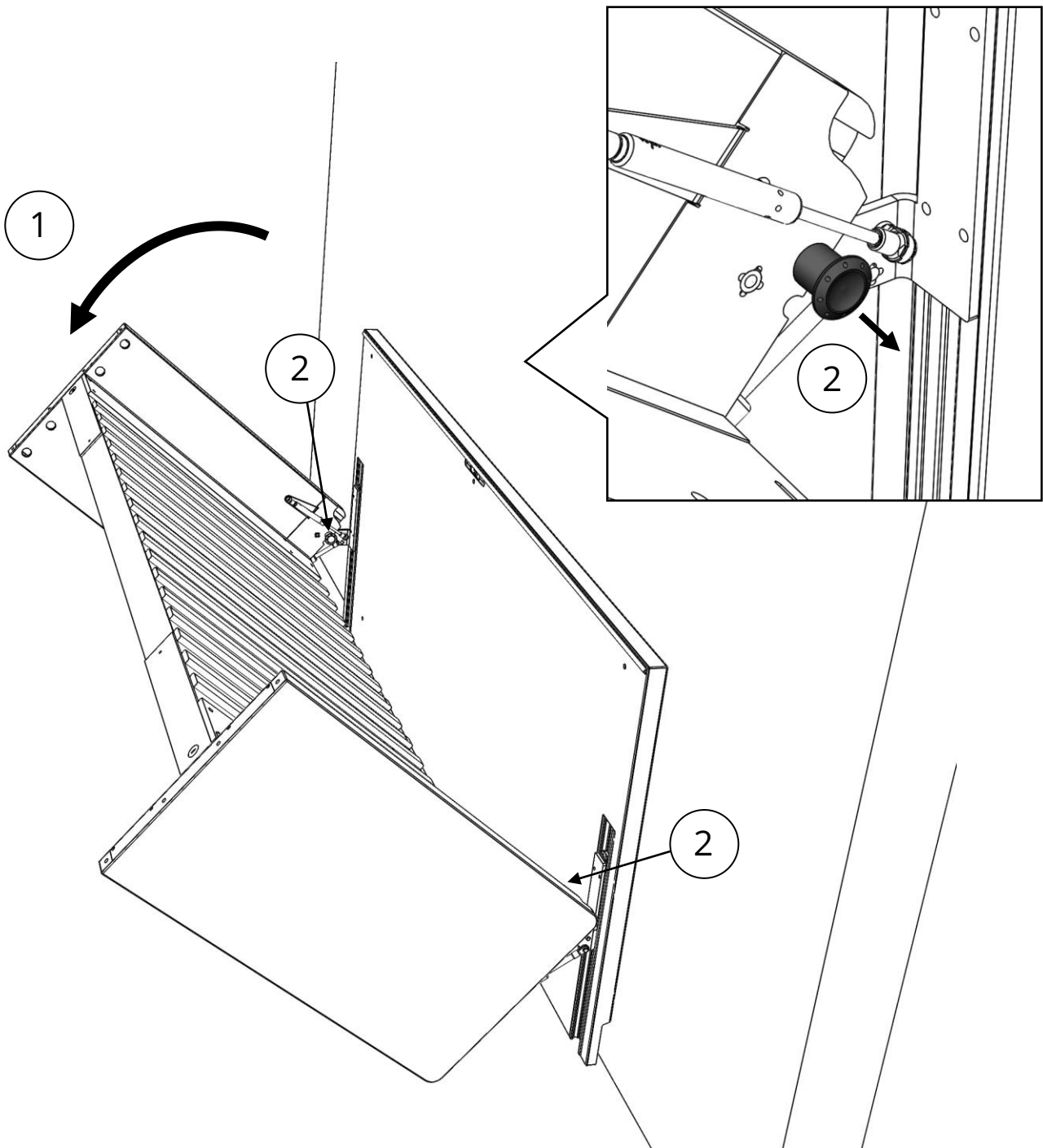
8x

7

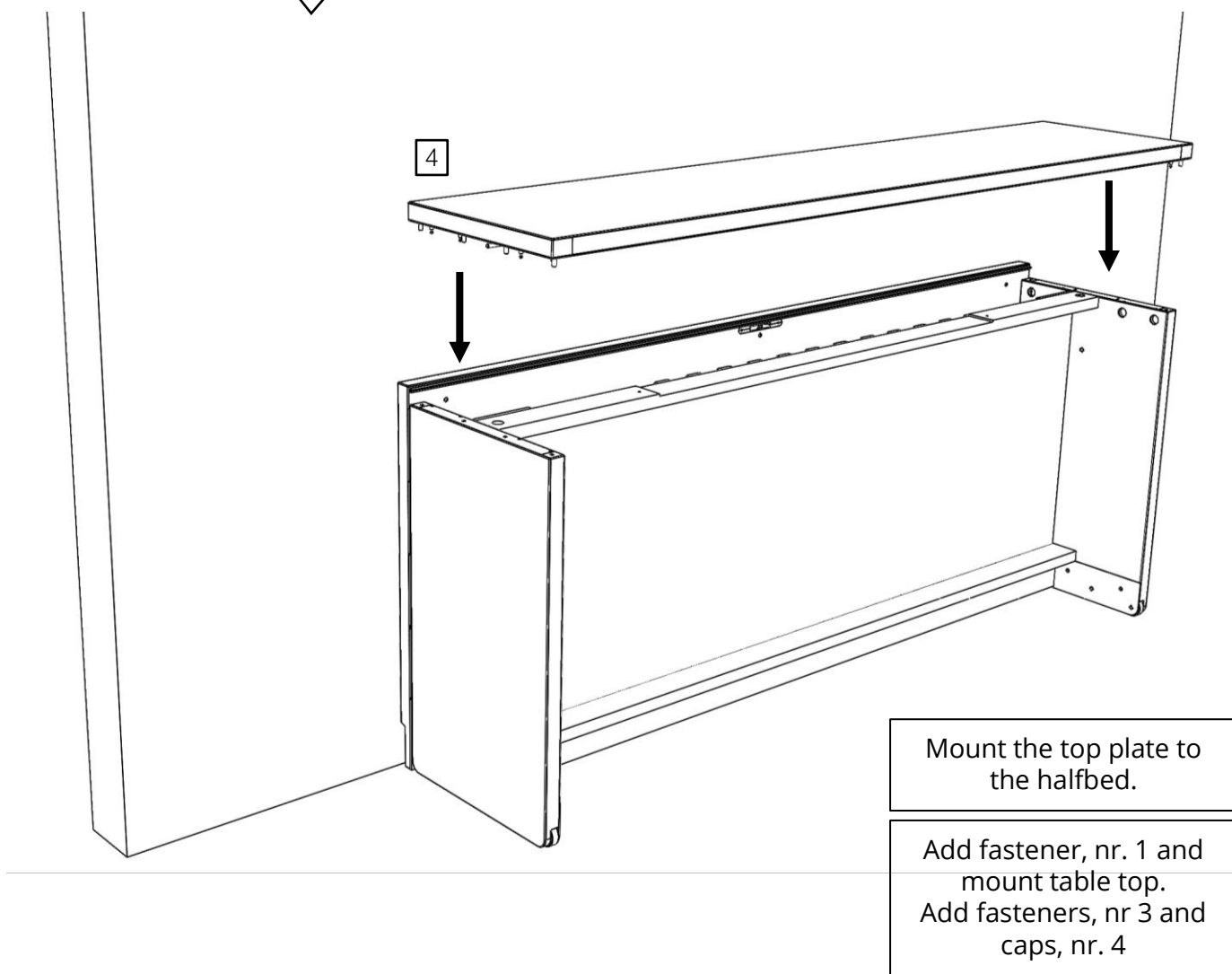
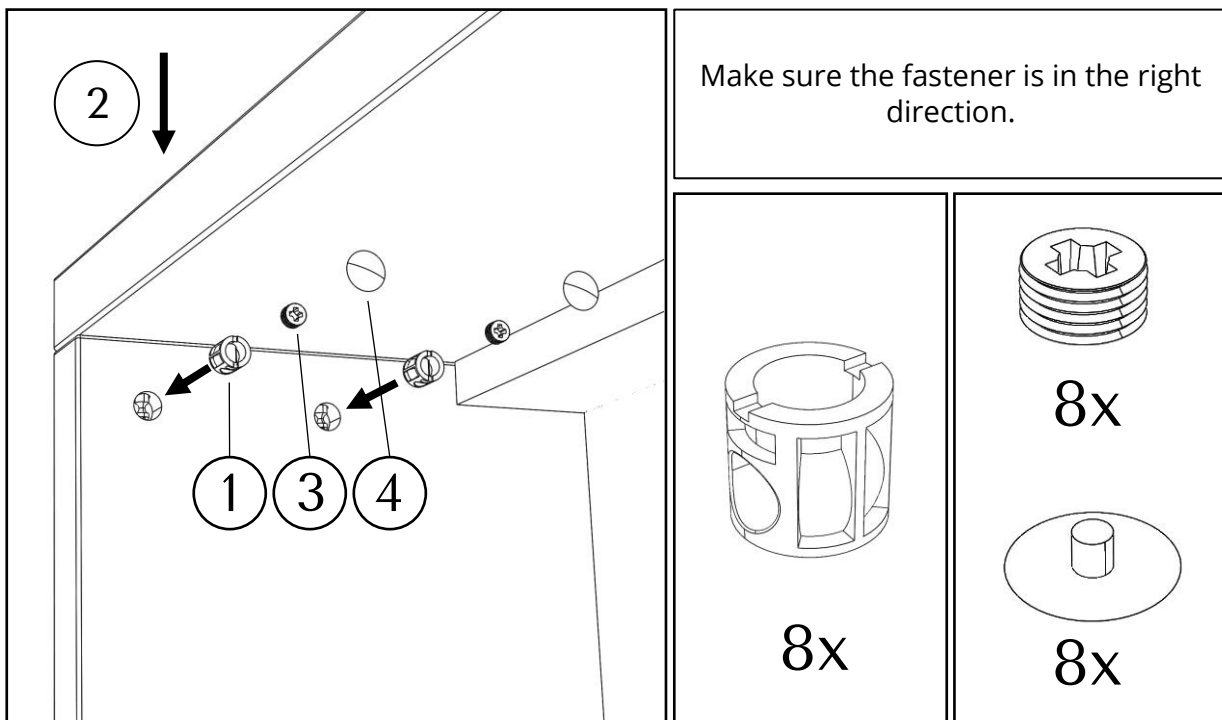


NOTICE; 2 PERSONS  
NEEDED!

Remove the pins.  
Push slightly down the halfbed and  
pull the pins out.

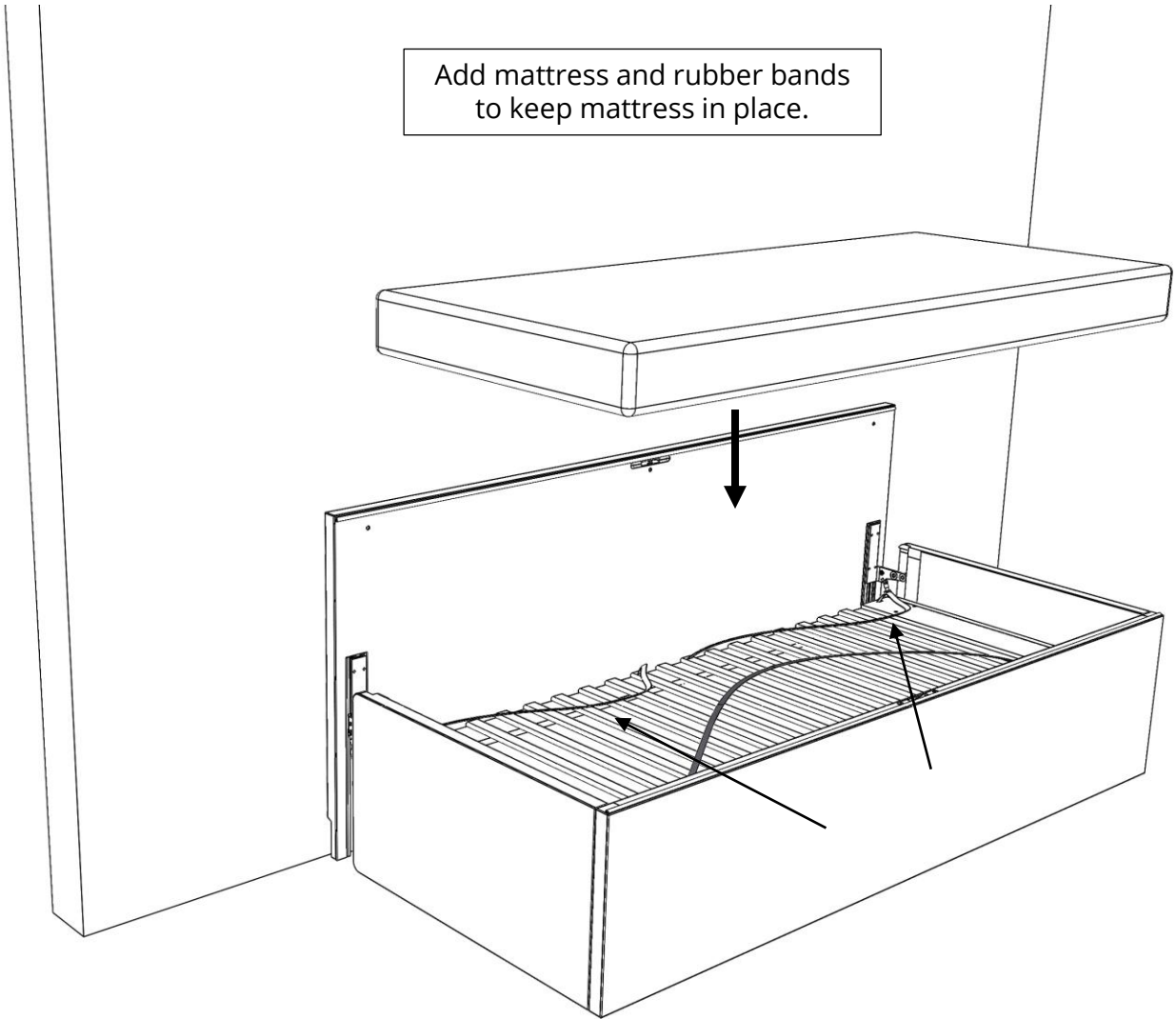


8

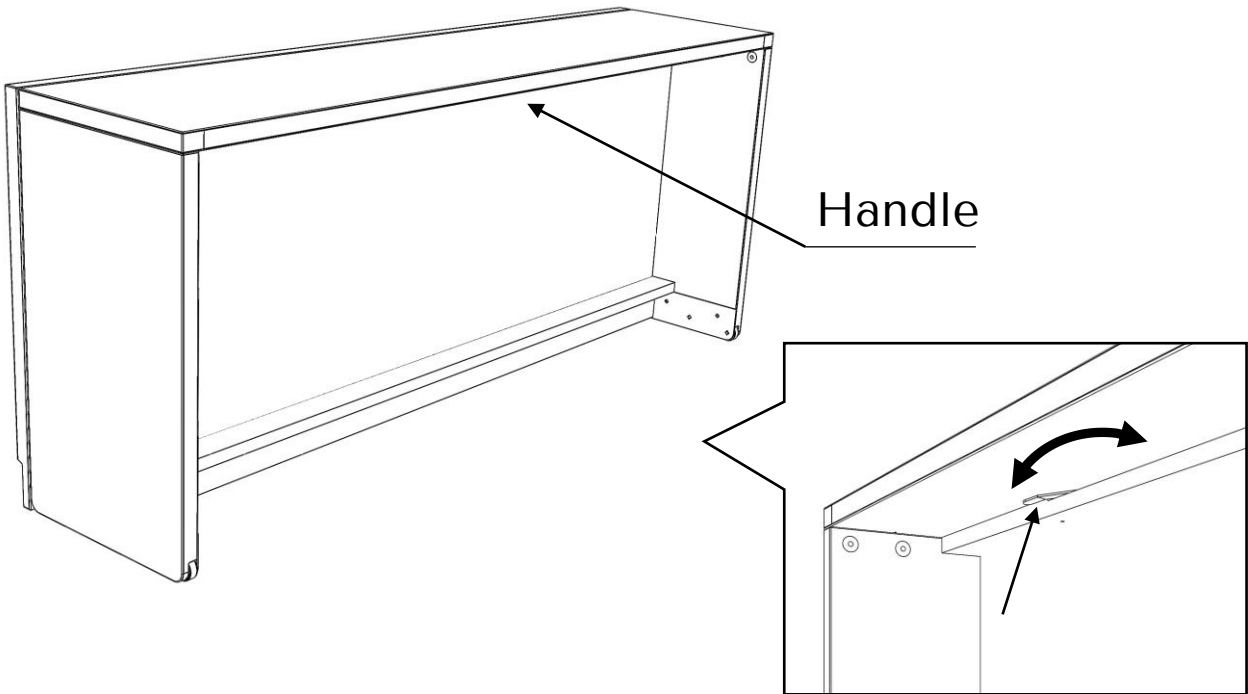


9

Add mattress and rubber bands to keep mattress in place.



Open / Close the bed by using the handle



Cleaning

Wipe the table with a moist cloth, and if needed mild detergent. No abrasive substances or tools.



## USER AND SAFETY INSTRUCTIONS

**Tablebed is a multifunctional furniture that have several moving parts. Make sure you read carefully and thoroughly these instructions before any use of the product.**

1 Assemble the Tablebed before any use of the product. Follow the steps of the assembly manual. Safe assembly requires always at least 2 persons

2 Tablebed is meant be used as a table and/or a bed. Tablebed or its parts should not be modified or used separately in any other way. Use Tablebed mattresses, or mattresses with similar weight and dimensions.

3 Tablebed is meant for indoor use in a dry environment. Outdoor usage may result in damages on the material.

4 Tablebed should be kept as a table or a bed, do not leave it opened halfway.

5 We recommend using a (thin) carpet under the Tablebed to protect the edges from wear and tear. A thin carpet may also be recommended if the floor surface is sensitive to wear and tear.

6 Use lifting straps when opening and closing the Tablebed. Make sure you have a good, stable and wide grip. Open and close the Tablebed with good and safe lifting technique and controlled motion.

7 Do not sit or jump on the table or use in any other inappropriate way. A heavy concentrated force or weight may result in damaging the Tablebed.

8 Do not stand or jump on the bed or use in any other inappropriate way. A heavy concentrated force or weight may result in damaging the Tablebed.

9 Make sure there are no small children and/or pets near, under or on the table or bed, when opening and closing the Tablebed.

10 Make sure you do not have your fingers, feet or any other body parts in front of or between Tablebed parts, hinges or wheels when opening or closing the Tablebed.

11 Do not place hot objects or pans on the surfaces of Tablebed without protection.

12 Do not hit or use sharp objectives on the surfaces of the Tablebed.

13 Do not use any cleaner that is abrasive, or which contains chlorine bleach. Do not use sharp steel wool or nylon scrubbing pads. Use only mild detergents and/or a moist cloth.

14 Tablebed is should be kept in the same place. In case you want to lift or move an assembled Tablebed, care is required.

a) be sure to lift it with several persons and with a good and safe grip and lifting technique.

b) there is also the possibility to open the Tablebed halves in a 45-degree angle and activate the wheels to move it easily in horizontal direction, i.e. meaning either to left or right.

15 When disassembling Tablebed, proceed in the reverse order of the assembly instructions. Safe disassembly requires always at least 2 persons.

16 Tablebed cannot be held responsible for or taken to court in any case of injuries or damages, that have occurred through any misuse of the Tablebed products.

# TABLEBED GUARANTEE POLICY

Your warranty is only applicable on defects on material or workmanship on the product under normal use in accordance with the user and safety instructions of Tablebed. If your product is to be defective during the guarantee period, the original owner may contact the relevant store to proceed with the possible repairment, replacement or other compensation of the parts.

The warranty of Tablebed is limited to 3 years on manufacturing defects.

Upon examination of the product by Tablebed Ltd, if it is found to be defected, Tablebed Ltd will repair any fault of workmanship, free of charge, whilst reserving the right to decide to, pay compensation or to replace the entire product, or if no longer available, a similar product.

Damaged caused by misuse, accidents, negligence, abuse, or alteration of the product by the end customer, is explicitly excluded from this warranty and will not be refunded. This warranty does not cover stains, discoloration or scratches due to normal wear and tear. In no event shall this warranty give rise to any compensation for consequential loss.



T A B L E B E D

FROM TABLE TO BED IN 10 SECONDS